

SOLENOID VALVES

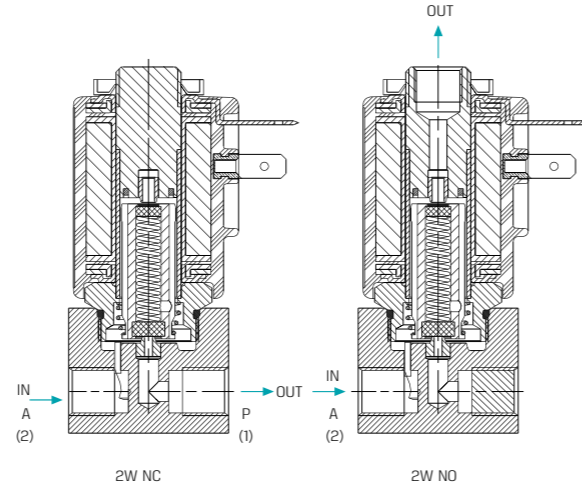
GEM-A | 1/8", 1/4" 2 Way NC, NO



GEM-A | 2W | Stainless Steel



GEM-A | 2W | Brass



Technical Data

Function	2 Way NC, NO
Ports size	1/8" and 1/4" BSP & NPT
Orifice size	See table
Pressure range	<ul style="list-style-type: none"> See table Valves for pressure higher than 25 bar cannot be supplied with manual override
Kv (l/min)	See table
Temperature range	Fluid : -10°C to 80°C (no freezing) Ambient : -10°C to 50°C
Materials in contact with media	Manual override: Plastic, Brass screw or Brass finger knob, Stainless Steel for Stainless Steel valves (1) Plastic manual override : Maximum pressure : 16 bar (2) Manual override is unavailable in 2W NO through base applications Main Valve: Brass or Stainless Steel AISI 316 Solenoid Operator: Stainless Steel AISI 300 & 400 series Seals: NBR, FPM (Viton®), EPDM, FFKM (Kalrez®), PTFE
Media	Air, water, oil
Coil voltage	<ul style="list-style-type: none"> Voltage and power consumption - see table All Baccara coil voltages are ± 10% of nominal
Standard protection class	IP65 with connector * Option : IP68 (please refer to GEM-BP Coil)

• Latch valves are available upon request

Max. Pressure (bar) 2W NC table

Coil Current/Power	Orifice (mm)						
	0.8	1.2	1.6	2.0	2.4	3.0	4.0
ADC *	60	50	35	20	15	10	5
AC8W, DC/10W	80	80	60	38	30	18	10
AC5.5W	80	60	40	28	20	15	6
AC2.5W	60	50	35	20	15	9	5
DC5.5W	60	30	18	12	9	6	3
DC3.5W	40	20	12	8	6	4	2
Flow factor Kv(l/min)	0.5	1.1	1.7	2.5	3.5	4.5	5

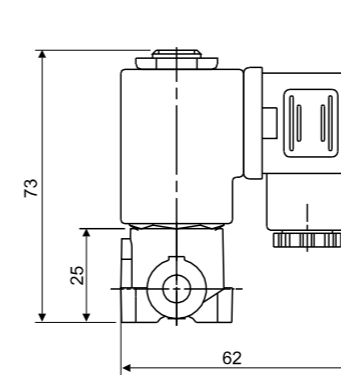
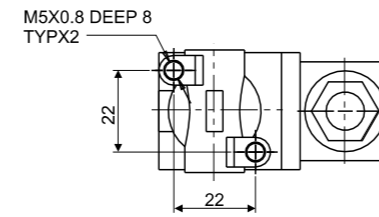
Max. Pressure (bar) 2W NO table

Coil Current/Power	Orifice (mm)					
	0.8	1.2	1.6	2.0	2.4	3.0
ADC *	25	25	25	20	15	10
Flow factor Kv(l/min)	0.5	1.1	1.4	2.5	3.0	3.5

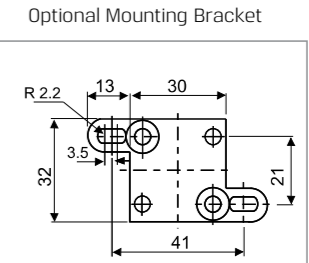
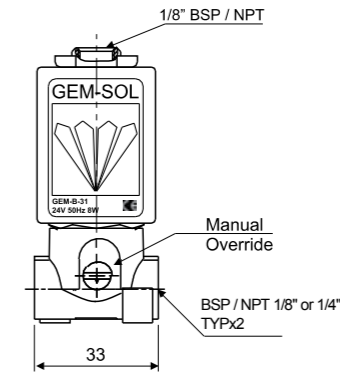
* ADC valves are only suitable for use with AC8W or DC10W coils

GEM-A | 1/8", 1/4" 2 Way NC, NO

Dimensions



Brass / Stainless Steel



SOLENOID VALVES

GEM-A | 1/8", 1/4" 2 Way NC, NO

Three Product Ordering Categories available

- STANDARD** | Reduced lead times, No MOQ
- SEMI-STANDARD** | Normal lead times, No MOQ
- SPECIAL** | Extended lead times, Non-stock items, MOQ may be applicable

Ordering Chart

STANDARD ITEMS | Reduced lead times, No MOQ
ADC operator only

MODEL	PORT	FUNCTION	ORIFICE (mm)	SEAL MATERIAL	MANUAL OVERRIDE	CONNECTOR	MOQD (bar)	PART NO. PER VOLTAGE & POWER			
								24VDC 10W	24VAC 8W 50Hz	110VAC 8W 60Hz	230VAC 8W 50Hz
GEM-A BRASS	1/8" BSP	2W NC	1.6	NBR	Slot	with	35	1253820062 GEM-A-21013N2-331 ADC	1253820063 GEM-A-21013N2-311 ADC	1253820064 GEM-A-21013N2-521 ADC	1253820065 GEM-A-21013N2-711 ADC
			20				1253820218 GEM-A-21014N2-331 ADC	1253820203 GEM-A-21014N2-311 ADC	1253820219 GEM-A-21014N2-521 ADC	1253820220 GEM-A-21014N2-711 ADC	
			15				1253830041 GEM-A-21015N2-331 ADC	1253830048 GEM-A-21015N2-311 ADC	1253830049 GEM-A-21015N2-521 ADC	1253830050 GEM-A-21015N2-711 ADC	
			35				1253820066 GEM-A-21113N2-331 ADC	1253820067 GEM-A-21113N2-311 ADC	1253820068 GEM-A-21113N2-521 ADC	1253820069 GEM-A-21113N2-711 ADC	
			20				1253820221 GEM-A-21114N2-331 ADC	1253820222 GEM-A-21114N2-311 ADC	1253820223 GEM-A-21114N2-521 ADC	1253820224 GEM-A-21114N2-711 ADC	
			15				1253830051 GEM-A-21115N2-331 ADC	1253830052 GEM-A-21115N2-311 ADC	1253830053 GEM-A-21115N2-521 ADC	1253830054 GEM-A-21115N2-711 ADC	
	1/4" BSP	2W NC	NBR	Slot	with	with	35	1255820108 GEM-A-22013N2-331 ADC	1255820031 GEM-A-22013N2-311 ADC	1255820109 GEM-A-22013N2-521 ADC	1255820110 GEM-A-22013N2-711 ADC
							20	1255820301 GEM-A-22014N2-331 ADC	1255820302 GEM-A-22014N2-311 ADC	1255820303 GEM-A-22014N2-521 ADC	1255820304 GEM-A-22014N2-711 ADC
							15	1255830201 GEM-A-22015N2-331 ADC	1255830202 GEM-A-22015N2-311 ADC	1255830203 GEM-A-22015N2-521 ADC	1255830580 GEM-A-22015N2-711 ADC
							35	1255820111 GEM-A-22113N2-331 ADC	1255820112 GEM-A-22113N2-311 ADC	1255820113 GEM-A-22113N2-521 ADC	1255820114 GEM-A-22113N2-711 ADC
							20	1255820305 GEM-A-22114N2-331 ADC	1255820306 GEM-A-22114N2-311 ADC	1255820307 GEM-A-22114N2-521 ADC	1255820308 GEM-A-22114N2-711 ADC
							15	1255830205 GEM-A-22115N2-331 ADC	1255830206 GEM-A-22115N2-311 ADC	1255830207 GEM-A-22115N2-521 ADC	1255830208 GEM-A-22115N2-711 ADC

GEM-A SST	1/4" BSP	2W NC	1.6	FPM (Viton®)	Slot	with	35	1255820311 GEM-A-32013V2-331 ADC	1255820312 GEM-A-32013V2-311 ADC	1255820313 GEM-A-32013V2-521 ADC	1255820314 GEM-A-32013V2-711 ADC
			20				1255820315 GEM-A-32014V2-331 ADC	1255820316 GEM-A-32014V2-311 ADC	1255820317 GEM-A-32014V2-521 ADC	1255820318 GEM-A-32014V2-711 ADC	
			15				1255830211 GEM-A-32015V2-331 ADC	1255830531 GEM-A-32015V2-311 ADC	1255830213 GEM-A-32015V2-521 ADC	1255830214 GEM-A-32015V2-711 ADC	
	1/4" NPT	2W NC	FPM (Viton®)	Slot	with	with	35	1255820321 GEM-A-32113V2-331 ADC	1255820322 GEM-A-32113V2-311 ADC	1255820323 GEM-A-32113V2-521 ADC	1255820324 GEM-A-32113V2-711 ADC
							20	1255820325 GEM-A-32114V2-331 ADC	1255820326 GEM-A-32114V2-311 ADC	1255820327 GEM-A-32114V2-521 ADC	1255820328 GEM-A-32114V2-711 ADC
							15	1255830215 GEM-A-32115V2-331 ADC	1255830216 GEM-A-32115V2-311 ADC	1255830217 GEM-A-32115V2-521 ADC	1255830218 GEM-A-32115V2-711 ADC

GEM-A | 1/8", 1/4" 2 Way NC, NO

Model Selection

- STANDARD** | Reduced lead times, No MOQ. Please refer to **Standard Items Ordering Chart**
- SEMI-STANDARD** | Normal lead times, No MOQ
- SPECIAL** | Extended lead times, Non-stock items, MOQ may be applicable
For a quote, please contact our sales department

GEM-A	BODY	PORT	FUNCTION	ORIFICE	SEALS	MANUAL OVERRIDE															
Brass	2	1/8" BSP	10	2W NC	1	0.8	1	NBR	N	None	0										
												1/8" NPT	11	2W NO	2	1.2	2	FPM(Viton®)	V	Plastic (3)	1
		1/4" NPT	21	2	2	2.0	4	FFKM(Kalrez®) (2)	K	Knob	3										
												2.4	5	PTFE	T						
																3.0	6	4.0	7		

GEM-A	BODY	PORT	FUNCTION	ORIFICE	SEALS	MANUAL OVERRIDE															
SST	3	1/8" BSP	10	2W NC	1	0.8	1	NBR	N	None	0										
												1/8" NPT	11	2W NO	2	1.2	2	FPM(Viton®)	V	Plastic (3)	1
		1/4" NPT	21	2	2	2.0	4	FFKM(Kalrez®) (2)	K	Knob	3										
												2.4	5	PTFE	T						
																3.0	6	4.0	7		

* For available options, please refer to **VOLTAGE & POWER CONSUMPTION** table below

VOLTAGE	POWER	CONNECTOR		
No coil	0	None	0	
6	1	AC8W 50Hz	1 with	1
12	2	AC8W 60Hz	2 with LED	2
24	3	DC10W	3 with bi-color LED	3
48	4	AC5.5W50Hz	4 flying leads coil	4
110	5	AC5.5W60Hz	5 with 1/2" Hub	5
120	6	AC2.5W 50/60Hz	6 surge protection with LED	6
220	7A	DC5.5W	7 connector with moulded cable	7
230	7	DC3.5W	8 other	9
240	8			
Latch/ other (4)	9			

Voltage & Power Consumption

V	AC (W)						DC (W)		
	8	5.5	2.5	8	5.5	2.5	10	5.5	3.5
6							●	●	●
12	●			●			●	●	●
24	▲	●	●	●	●	●	▲		
48	●			●			●		
110				▲	●		●		
120	●			●					
220	●	●	●	●			●		
230	▲	●							
240	●			●			●		

Available options :
 ▲ STANDARD
 ● SEMI-STANDARD
 ■ SPECIAL

Example : GEM-A-21015N2-311

GEM-SOL direct operated brass, 1/8"BSP, 2W NC, 2.4 orifice, NBR, slot manual override, 24V AC8W 50Hz with connector

GEM-A - 2 10 1 5 N 2 - 3 1 1

- (1) Option 2a : manual override is not available
- (2) FFKM (Kalrez®) O-ring is available only upon request. When ordering FFKM (Kalrez®) seals, please consult with our technical sales department about O-ring compound
- (3) Maximum pressure : 16 bar
- (4) For specifying Latch type coil, please refer to GEM-A3P valve - How to Order table

* Note: When ordering without coil, please define what current and pressure rating is needed (DC, AC or ADC), otherwise an ADC valve will be supplied

* To order valves manufactured according to your specific requirements, please contact our technical sales department