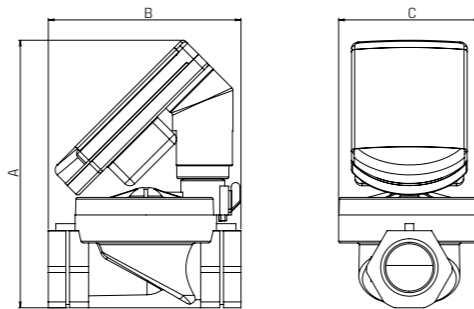


G75-C | Irrigation Controller | 1, 2 & 4 Valves



3/4"	145	110	81
1"	153	110	81
1-1/2"	166	160	127
2"	166	170	127



Technical Data

Temperature range	-10° to 60°C
Mounting	<p>Various mounting options :</p> <ul style="list-style-type: none"> • Directly on a 28mm diameter solenoid in horizontal or vertical position with adaptor • Wall mounting with four screws • Accessories provided
Electrical	<p>Powered by single 9V alkaline battery, use best quality to ensure at least one year's autonomous operation.</p> <ul style="list-style-type: none"> • Back-up memory • Low battery warning • Power saving LCD • Battery included
Solenoid	Compatible with G75 4Ω latch operator
Valve	Can operate any valve equipped with 3/4" UNEF solenoid cavity (Richdel® type).
Software	<ul style="list-style-type: none"> • 24 hours real time clock • See 'Programming key features' table
Options	<ul style="list-style-type: none"> • Solar panel • Charger • Accurate clock (low time drift)
Standard / Certification	CE
Standard protection class	<ul style="list-style-type: none"> • Dust and watertight • IP67 and NEMA 4X

Mounting options



Programming key features

Once daily, at the same time	Up to three starts per day	Up to three starts per day
Once daily on selected days	Starts select	Starts select
Three starts per day	Day select	Day select
OFF	Season adjustment 10% - 200%	Season adjustment 10% - 200%
	OFF	OFF
		Master valve will be opened for each command

How to Order

One valve	1	No valve	00	No valve	00	No valve	00	No valve	00	No valve	00
Two valves	2	3/8" BSP	30	3/8" BSP	30	3/8" BSP	30	3/8" BSP	30	3/8" BSP	30
Four valves	4	3/8" NPT	31	3/8" NPT	31	3/8" NPT	31	3/8" NPT	31	3/8" NPT	31
		1/2" BSP	40	1/2" BSP	40	1/2" BSP	40	1/2" BSP	40	1/2" BSP	40
		1/2" NPT	41	1/2" NPT	41	1/2" NPT	41	1/2" NPT	41	1/2" NPT	41
		3/4" BSP	50	3/4" BSP	50	3/4" BSP	50	3/4" BSP	50	3/4" BSP	50
		3/4" NPT	51	3/4" NPT	51	3/4" NPT	51	3/4" NPT	51	3/4" NPT	51
		1" BSP	60	1" BSP	60	1" BSP	60	1" BSP	60	1" BSP	60
		1" NPT	61	1" NPT	61	1" NPT	61	1" NPT	61	1" NPT	61
		1-1/2" BSP	70	1-1/2" BSP	70	1-1/2" BSP	70	1-1/2" BSP	70	1-1/2" BSP	70
		1-1/2" NPT	71	1-1/2" NPT	71	1-1/2" NPT	71	1-1/2" NPT	71	1-1/2" NPT	71
		2" BSP	80	2" BSP	80	2" BSP	80	2" BSP	80	2" BSP	80
		2" NPT	81	2" NPT	81	2" NPT	81	2" NPT	81	2" NPT	81
		G75-A *		G75-A *		G75-A *		G75-A *		G75-A *	

* G75-A

with flange	1	1/8" BSP	10	2W NC	1	None	0	1.0	1
without flange	2	1/8" NPT	11	3W NC	3			1.2	2
Brass	3	1/4" BSP ⁽¹⁾	20	3W NO	4			1.6	3
		1/4" NPT ⁽¹⁾	21						

1) Example : G75-C-2-50-60

GEVA 75 **Two Valves controller** :
Valve 1 : 3/4" BSP, Valve 2 : 1" BSP

G75-C - 2 - 50 - 60

2) Example : G75-C-4-50-70-80-00-60

GEVA 75 **Four Valves controller** :
Valve 1 : 3/4" BSP, Valve 2 : 1-1/2" BSP, Valve 3 : 2" BSP,
Valve 4 : No Valve, Master Valve : 1" BSP,

G75-C - 4 - 50 - 70 - 80 - 00 - 60

3) Example : G75-C-2-60-G75-A-110102

GEVA 75 **Two Valves controller** :
Valve 1 : 1" BSP, Valve 2 : G75-A with flange, 1/8" BSP, 2W NC,
no manual override, 1.2 orifice

G75-C - 2 - 60 - G75-A - 1 10 1 0 2

(1) Brass only

(2) For Four Valves controller only

* To order controllers manufactured according to your specific requirements, please contact our technical sales department.