

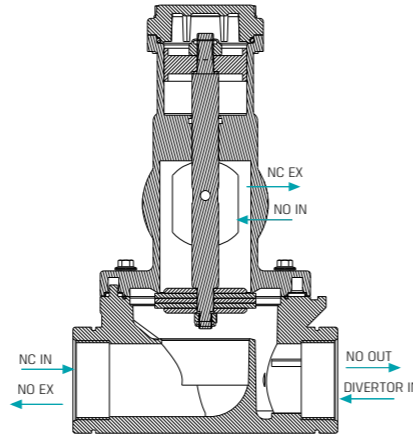
PROCESS VALVES

Globe | Plastic

GC | General purpose 3/4" - 2" 3 Way



1-1/2" | General purpose



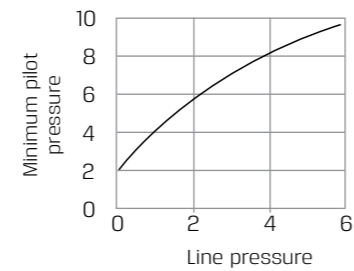
Technical Data

Function	3 Way
Ports size	3/4", 1", 1-1/2", 2" BSP & NPT
Pressure range	See table
Temperature range	Fluid : -5°C to 60°C (no freezing) Ambient : -10°C to 50°C
Materials in contact with media	Main Valve: Reinforced Nylon 6 Seal seat: Polyurethane

• Use a 5x2 pilot valve to control the valve.

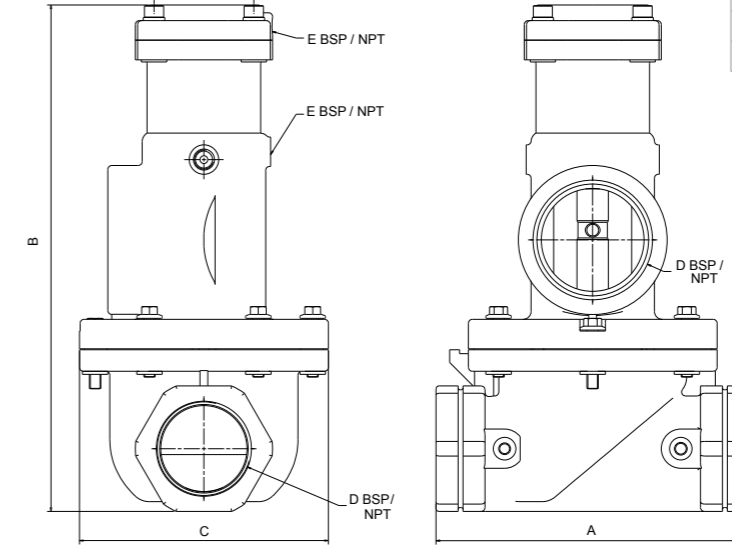
Pressure (bar) & Flow table

Size	Orifice (mm)	Line Pressure
3/4", 1"	27	Vacuum - 5 bar
1-1/2", 2"	55	Vacuum - 5 bar



Globe | Plastic | GC | General purpose 3/4" - 2" 3 Way

Dimensions



Size	A	B	C	D	E
3/4"	110	142	81	3/4"	1/8" BSP/NPT
1"	110	142	81	1"	1/8" BSP/NPT
1-1/2"	160	264	126	1-1/2"	1/8" BSP/NPT
2"	170	274	126	2"	1/8" BSP/NPT

How to Order

GC	BODY	TYPE	PORT	FUNCTION	SEALS
Plastic	4	Globe	1	General purpose	9
			3/4" BSP		P
			50		
			3/4" NPT		
			51		
			1" BSP		
			60		
			1" NPT		
			61		
			1-1/2" BSP		
			70		
			1-1/2" NPT		
			71		
			2" BSP		
			80		
			2" NPT		
			81		

Example : GC-4160-9P

GC Globe cylinder, nylon body, 1" BSP, 3W with polyurethane seals.

GC - 4 - 1 - 60 - 9 - P

* To order valves manufactured according to your specific requirements, please contact our technical sales department.