

## 1/2" - 2" BSP UPVC Fact Acting Non-Return Electric Actuated Ball Valve MO & Visual Indicator



Motorized Water Valve is ideal for draining water tank, water heater, water treatments, brewing and water meters.

### Design Features

- Beautiful appearance, compact structure, high precision, large output torque, service life is not less than 50,000 times
- The actuator and valve can be assembled from multiple angles, which is convenient for users to allocate space
- Ball valve adopts floating soft seal structure, no drip leakage, suitable for heavy dirt and long-term no action occasions
- Protection grade **IP68**, can be used in relatively humid environment.

### Technical Data

Product size	1/2", 3/4", 1", 1 1/4", 1 1/2", 2" BSP	Valve Body Material	UPVC
Maximum working pressure	1.0 MPa (10 bar)	Actuator Material	Polyphenylene Oxide
Open/close time	≤2 sec / 90°	Sealing Material	EPDM, FKM & PTFE
Working voltage	DC12V, DC24V	Manual Override	Yes
Wiring control methods	CR201, CR501, CR303	Visual Indicator	Yes
Working current	≤2A (DC12V), ≤1A (DC24V)	Feedback	Yes (only with CR501)
Locked Rotor Current	5A (DC12V), 3.5A (DC24V)	IP Rating	IP68



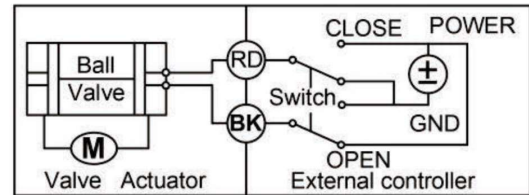
<b>Max. torque force</b>	15 N.m	<b>Environment temperature</b>	-15°C~50°C
<b>Lifetime</b>	50,000 times at least	<b>Liquid temperature</b>	2°C~55°C
<b>Cable Length</b>	0.5m	<b>Actuator rotation</b>	90°
<b>Cable Specification</b>	UL 2464 22awg	<b>Circulation medium</b>	Fluid, air

## Wiring Diagrams

### ■ CR201 Wiring Diagram ( 2 wires control )

·RD connect with positive, the BK connect with negative, the valve closed, the actuator automatically power off after in place , the valve remains fully closed position  
 ·BK connect with positive, the RD connect with negative, the valve open, the actuator automatically power off after in place, the valve remains fully open position

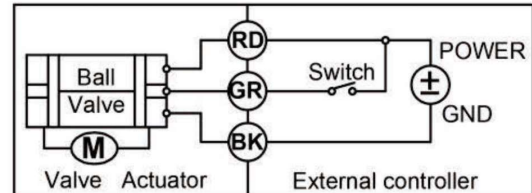
- Suitable Working Voltage: DC5V,DC12V,DC24V
- Exceeding the working voltage is forbidden



### ■ CR303 Wiring Diagram (3 wires control)

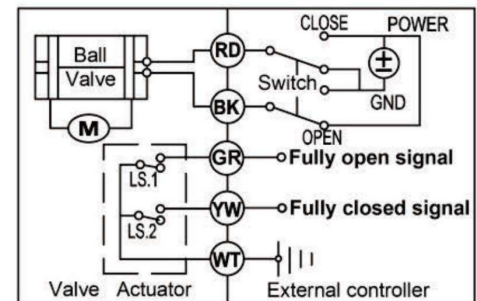
·RD& GR connect with positive, the BK connect with negative  
 ·SW CLOSED, the valve OPEN, the actuator automatically power off after in place  
 ·SW OPEN, the valve CLOSED, the actuator automatically power off after in place

- Suitable Working Voltage: AC/DC9-24V,AC110-230V
- Exceeding the working voltage is forbidden

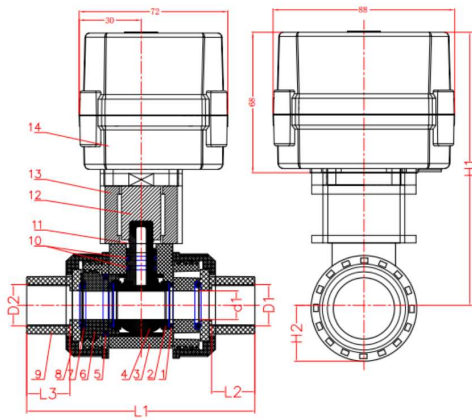


### ■ CR501 Wiring Diagram (5 wires control with feedback signal)

·RD connect with positive, the BK connect with negative, the valve closed, the actuator automatically power off after in place  
 ·BK connect with positive, the RD connect with negative, the valve open, the actuator automatically power off after in place  
 ·GR & WT connect with the valve's fully open signal wiring  
 ·YW & WT connect with the valve's fully closed signal wiring  
 Suitable Working Voltage:DC5V,DC12V,DC24V  
 Exceeding the working voltage is forbidden



## Construction Diagram



NO.	Name	Material	Quantity
1	Actuator	PPO	1
2	Holder	SS304	1
3	connector	SS304	2
4	Stem	UPVC	1
5	O-ring	EPDM/VITON	2
6	Bonnet	UPVC	1
7	Coupling	UPVC	1
8	O-ring	EPDM/VITON	1
9	Valve body	UPVC	2
10	O-ring	EPDM/VITON	1
11	Ball	UPVC	2
12	Valve body	UPVC	1
13	Sealing	PTEE	2
14	O-ring	EPDM/VITON	1

Size	Size	d	L1	L2/L3	H1	H2
50-P2-C	2"	50	173	38	179.6	59
40-P2-C	1-1/2 "	38	161	35	163.6	49
32-P2-C	1-1/4"	32	144	32	156.8	42
25-P2-C	31 "	25	129	28.5	146.3	37
20-P2-C	3/4"	20	115	25.5	134.5	32
15-P2-C	1/2 "	15	107	22.3	130	27

