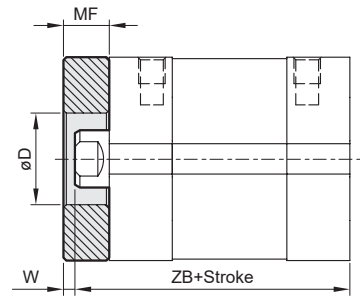
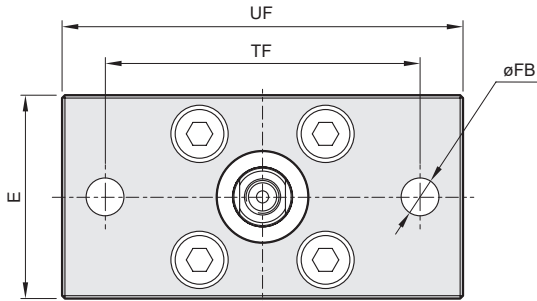
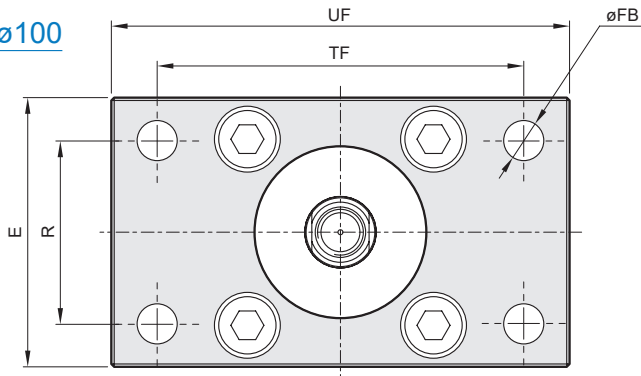


FAC

$\varnothing 20 \sim \varnothing 25$



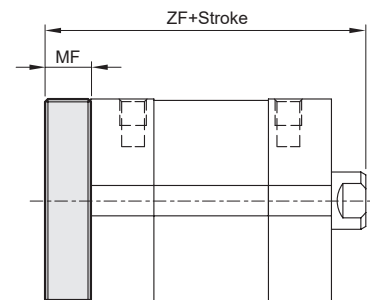
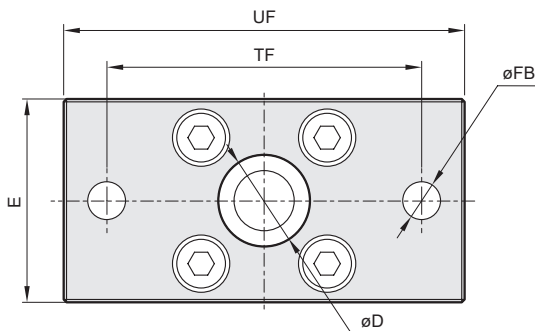
$\varnothing 32 \sim \varnothing 100$



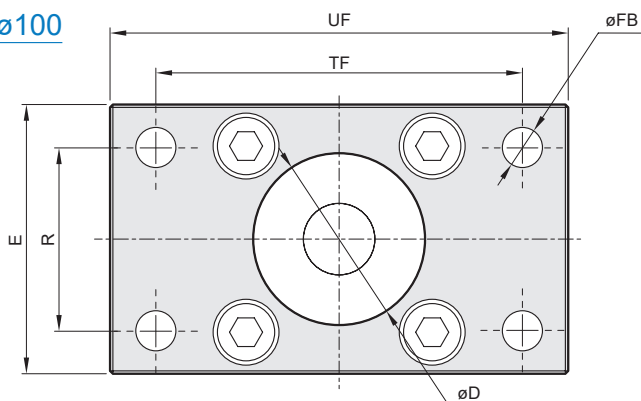
Code Tube I.D.	D	E	FB	MF	R	TF	UF	W	ZB
20	16	35.5	6.6	8	—	55	70	2	43
25	16	39.5	6.6	8	—	60	76	2	45
32	30	47.0	7	10	32	64	80	3	51
40	35	54.5	9	10	36	72	90	3	52
50	40	65.5	9	12	45	90	110	4	53
63	45	75.5	9	12	50	100	120	4	57
80	45	95.5	12	16	63	126	150	6	64
100	55	113.5	14	16	75	150	175	6	77

FBC

$\varnothing 20 \sim \varnothing 25$



$\varnothing 32 \sim \varnothing 100$



Code Tube I.D.	D	E	FB	MF	R	TF	UF	ZF
20	16	35.5	6.6	8	—	55	70	51
25	16	39.5	6.6	8	—	60	76	53
32	30	47.0	7	10	32	64	80	61
40	35	54.5	9	10	36	72	90	62
50	40	65.5	9	12	45	90	110	65
63	45	75.5	9	12	50	100	120	69
80	45	95.5	12	16	63	126	150	80
100	55	113.5	14	16	75	150	175	93