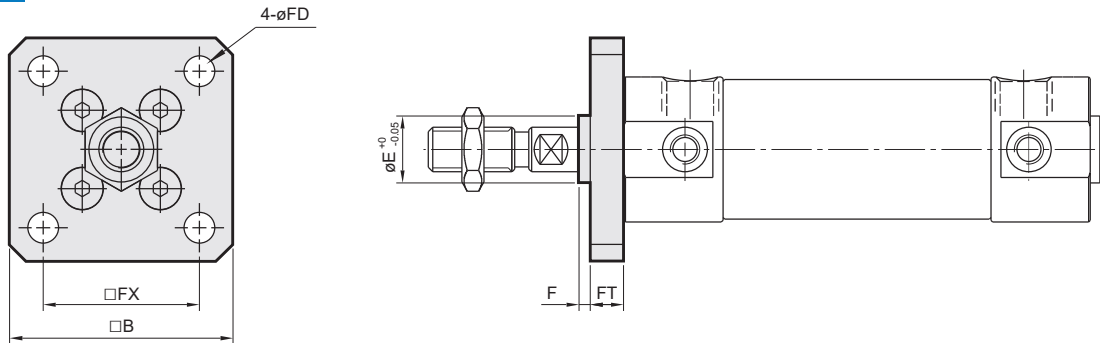
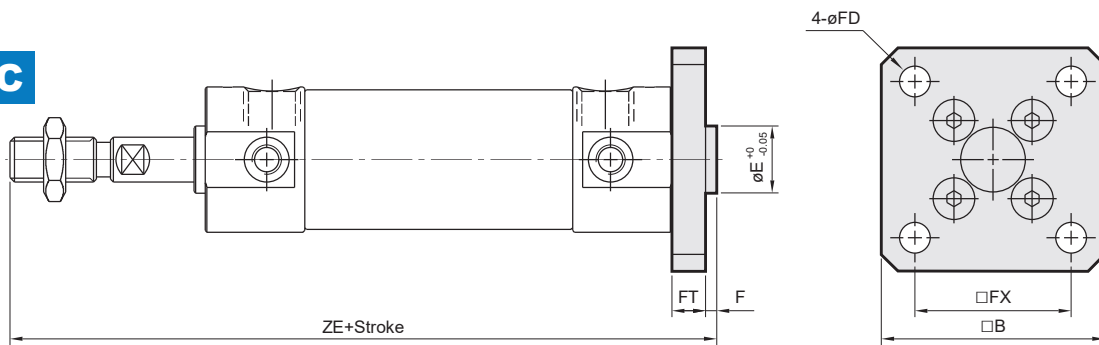


**ROUND CYLINDER**

**FAC**



**FBC**



Code Tube I.D.	B	E	F	FX	FD	FT	ZE
20	40	12	2	28	5.5	6	112 (120)
25	44	14	2	32	5.5	7	118 (126)
32	53	18	2	38	6.6	7	120 (128)
40	61	25	2	46	6.6	8	138 (147)
50	76	30	2	58	9	9	159 (171)
63	92	32	2	70	11	9	159 (171)
80	104	40	3	82	11	11	193 (207)
100	128	50	3	100	14	14	196 (210)

( ): Dimension for long stroke.