

SOLENOID VALVES | Special Purpose

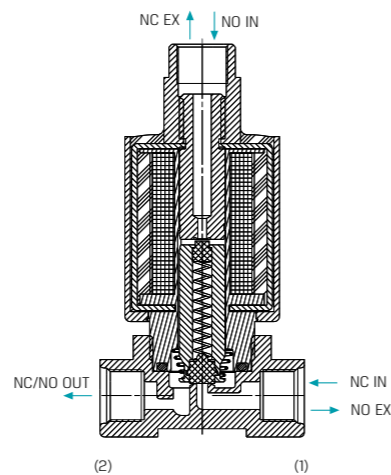
Plastic

Plastic | G75 | 1/8" 3 Way NC, NO

G75-A | 1/8" 3 Way NC, NO



With flange | plastic manual override



Technical Data

Function	3 Way NC, NO
Ports size	1/8" BSP & NPT
Orifice size	See table
Pressure range	See table
Temperature range	Fluid : 5°C to 50°C (no freezing) Ambient : -10°C to 50°C
Materials in contact with media	Manual override: Reinforced Nylon Main Valve: Reinforced Nylon Solenoid: See solenoid specifications Seals: EPDM
Coil voltage	• Voltage and power consumption - see table • All Baccara coil voltages are ± 10% of nominal
Standard protection class	IP66

• Available with brass adaptor upon request.

Max. Pressure (bar) table

Function	Orifice (mm)	AC	DC	DC Latch
3W NC	1	16	12	16
	1.2	11	9	11
	1.6	6	5	6
3W NO	1.0	16	16	16
	1.2	12	12	12
	1.6	10	10	10

Voltage & Power Consumption

V	AC (W) 50 Hz		DC (W)
	2	4.5	
12	•	•	
24	•	•	

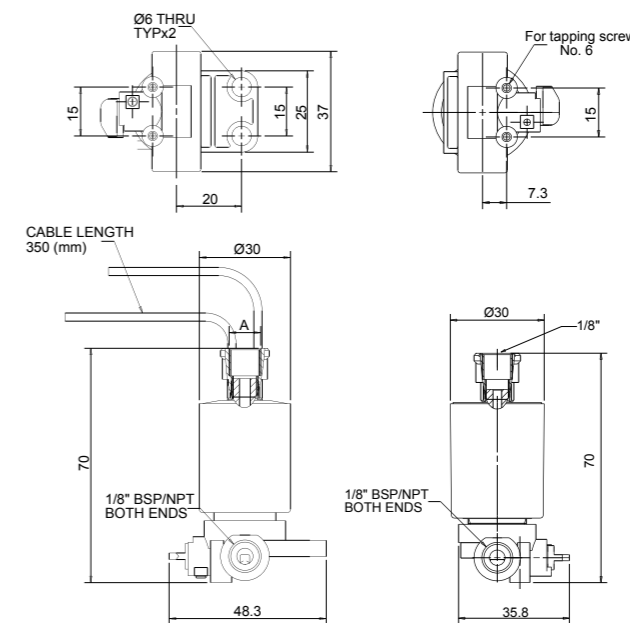
• Available options

Voltage & Current table

Solenoid	Voltage	Inrush [A]	Holding [A]
2W 50 Hz	V +10%	0.3	0.19
2W 60 Hz		0.2	0.14
3W 50/60 Hz *		0.125	0.125
DC	n-20%	4.5W	

* Except 24V AC without Diode

Dimensions



How to Order

G75-A	-	TYPE ⁽¹⁾	PORT	FUNCTION	MANUAL OVERRIDE ⁽³⁾	ORIFICE	-	VOLTAGE ⁽⁶⁾	WIRES				
with flange	1	1/8" BSP	10	3W NC	3	None	0	1.0	1	24V AC	1	two	Null
without flange	2	1/8" NPT	11	3W NO	4	Plastic	1	1.2	2	24V AC w/out Diode ⁽⁵⁾	1R	three ⁽⁴⁾	a
								1.6	3	12V AC	3		
								2.0 ⁽²⁾	4	12V DC	4		
										24V DC	5		
										23Ω	6		
										4Ω	B		
										9Ω	C		
										12Ω	D		

Coil resistance vs input voltage range

Resistance [Ω]	Suitable input voltage range [V]
4	6 - 9
9	12 - 14
12	14 - 16
23	18 - 21

Example : G75-A-110302-1

G75 with flange, 1/8" BSP, 3W NC, no manual override, 1.2 orifice, 24V AC coil, two wires.

G75-A - 1 10 3 0 2 - 1

- (1) These valves are also available in Brass
- (2) For 2mm orifice : top orifice is 1.6mm
- (3) For Latch valves : manual override is optional only in 2W valves
- (4) For Latch only
- (5) 3W NO 1.6 mm : Max pressure is 8 bars
- (6) For Latch : Refer to coil resistance vs input voltage table

* To order valves manufactured according to your specific requirements, please contact our technical sales department.