

Operators

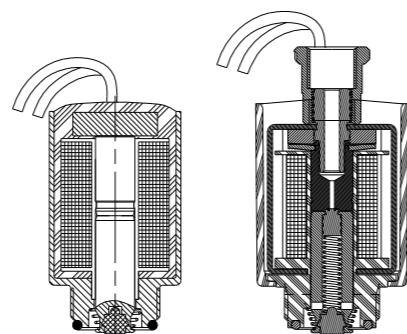
G75-0 | Latch Operator 2 Way, 3 Way NC, NO

Applicable for G75-A, GALIT, G75-S & G75-Z valves



2W Operator

3W Operator



2WNC

3WNC/3WNO

Technical Data

Function	2 Way, 3 Way NC, NO, Latch
Orifice size	2 Way : No orifice 3 Way : See table
Pressure range (bars)	See solenoid valve performances
Capacitors	• 4700µF for 9V DC • 2200µF for 12V DC
Switching time	25-50 ms
Temperature range	Fluid : 5°C to 50°C (no freezing) Ambient : -10°C to 50°C
Materials in contact with media	Housing: Reinforced Nylon 66 Plunger & pole: Passivated Stainless Steel AISI 430F Rubber Seals: EPDM Encapsulate: Polyurethane Spring: Stainless Steel AISI 300 series
Threads on operator tube	G1/8" or 1/8" NPT female to connect exhaust, muffler etc
Two wire operator	One coil with exit of 2 lead wires. To pull the plunger up, connect the black wire (-) and the green to the (+).
Three wire operator	One coil and an integrated electrical circuit. To pull plunger up, pulse is given to the red wire (-). To release the plunger, pulse is given to the black wire (-). Operate only by a controller.
Electrical connection	• Lead wires 35 cm, 18 AWG (0.75mm ²) (black/green) • Lead wires : red, white, black for 3 wires
Voltage	9, 12V DC (coils for other voltages available)
Standard protection class	IP66

• Available with brass adaptor.

Working pressure (bar) 2W NC

Orifice (mm)	up to 2.0
Pressure (bar)	12

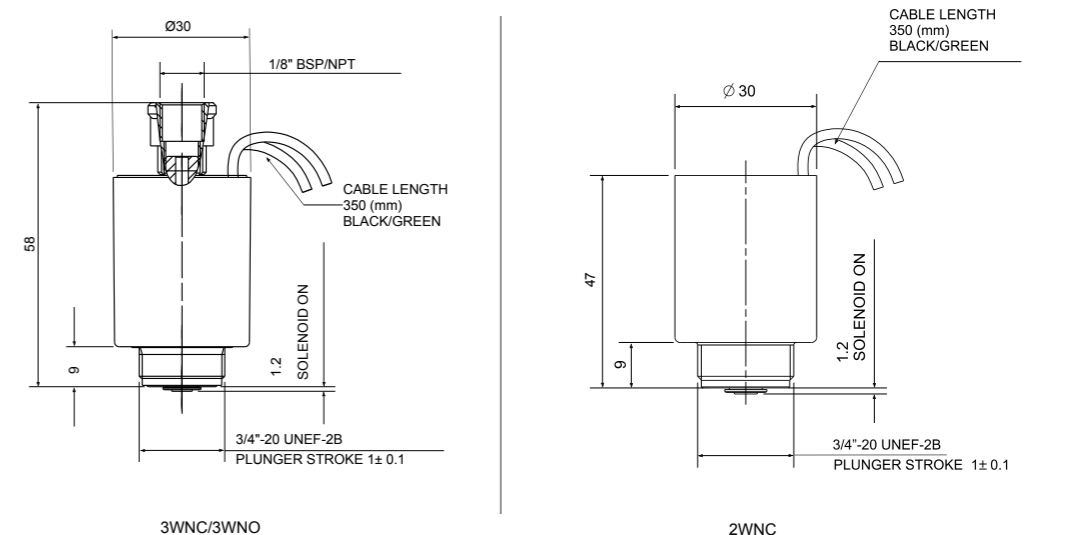
Working pressure (bar) 3W NC

Orifice (mm)	1.0	1.2	1.6
AC Pressure (bar)	16	11	6

Working pressure (bar) 3W NO

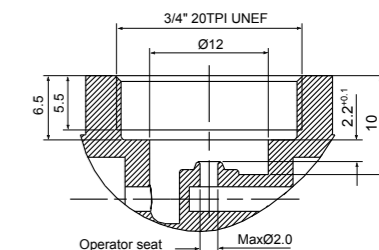
Orifice (mm)	1.0	1.2	1.6
Pressure (bar)	16	12	10

Dimensions



3WNC/3WNO

2WNC



How to Order

2W

G75-0	-	FUNCTION		VOLTAGE VDC ⁽¹⁾	WIRES
		2W NC	1	4Ω	B two Null

3W

G75-0	-	PORT	FUNCTION	ORIFICE	VOLTAGE VDC ⁽¹⁾	WIRES	
		1/8" BSP	10 3W NC	3 1.0	1	9Ω	C three a
		1/8" NPT	11 3W NO	4 1.2	2	12Ω	D
				1.6	3	23Ω	6

Coil resistance vs input voltage range

Resistance [Ω]	Suitable input voltage range [V]
4	6 - 9
9	12 - 14
12	14 - 16
23	18 - 21

Example : G75-0-1-Ba

G75 latch solenoid operator, 2W NC, 4Ω, 3 wires

G75-0 - 1 - B - a

Example : G75-0-1042-Ca

G75 latch solenoid operator, 1/8" BSP, 3W NO, 1.2 orifice, 9Ω, 3 wires

G75-0 - 10 - 4 - 2 - C - a

(1) Refer to coil resistance vs input voltage table

* To order operators manufactured according to your specific requirements, please contact our technical sales department.

SOLENOID VALVES | Spare Parts

Operators

G75-0 | AC/DC Operator 2 Way, 3 Way NC, NO

Applicable for G75-A, GALIT, G75-S & G75-Z valves



Technical Data

Function	2 Way, 3 Way NC, NO
Orifice size	2 Way : No orifice 3 Way : See table
Pressure range (bars)	See solenoid valve performances
Temperature range	Fluid : 5°C to 50°C (no freezing) Ambient : -10°C to 50°C
Materials in contact with media	Housing: Reinforced Nylon 66 Plunger & pole: Passivated Stainless Steel AISI 430F Rubber Seals: EPDM Encapsulate: Polyurethane Spring: Stainless Steel AISI 300 series
Media	Air, water, oil *
Threads on operator tube	G1/8" or 1/8" NPT female to connect exhaust, muffler etc
Operator assembly	By manually screwing 3/4" UNEF to valve body. • Max. tightening torque : 2 N/m
Electrical connection	Lead wires 35 cm, 18 AWG (0.75mm ²) * other lengths are available
Coil voltage	• Voltage and power consumption - see table • All Baccara coil voltages are ± 10% of nominal
Standard protection class	IP66

- Available with brass adaptor upon request.
- * For other fluids and for use in abnormal conditions, please contact our technical sales department

Working pressure (bar) 2W NC

Orifice (mm)	up to 2.0
Pressure (bar)	12

Working pressure (bar) 3W NC

Orifice (mm)	1.0	1.2	1.6
AC Pressure (bar)	16	11	6
DC Pressure (bar)	12	9	5

Working pressure (bar) 3W NO

Orifice (mm)	1.0	1.2	1.6
Pressure (bar)	16	12	10

Voltage & Current table

Solenoid	Voltage	Inrush [A]	Holding [A]
2W 50 Hz	V	0.3	0.19
2W 60 Hz		0.2	0.14
3W 50/60 Hz *		0.125	0.125
DC		4.5W	

* Except 24V AC without Diode

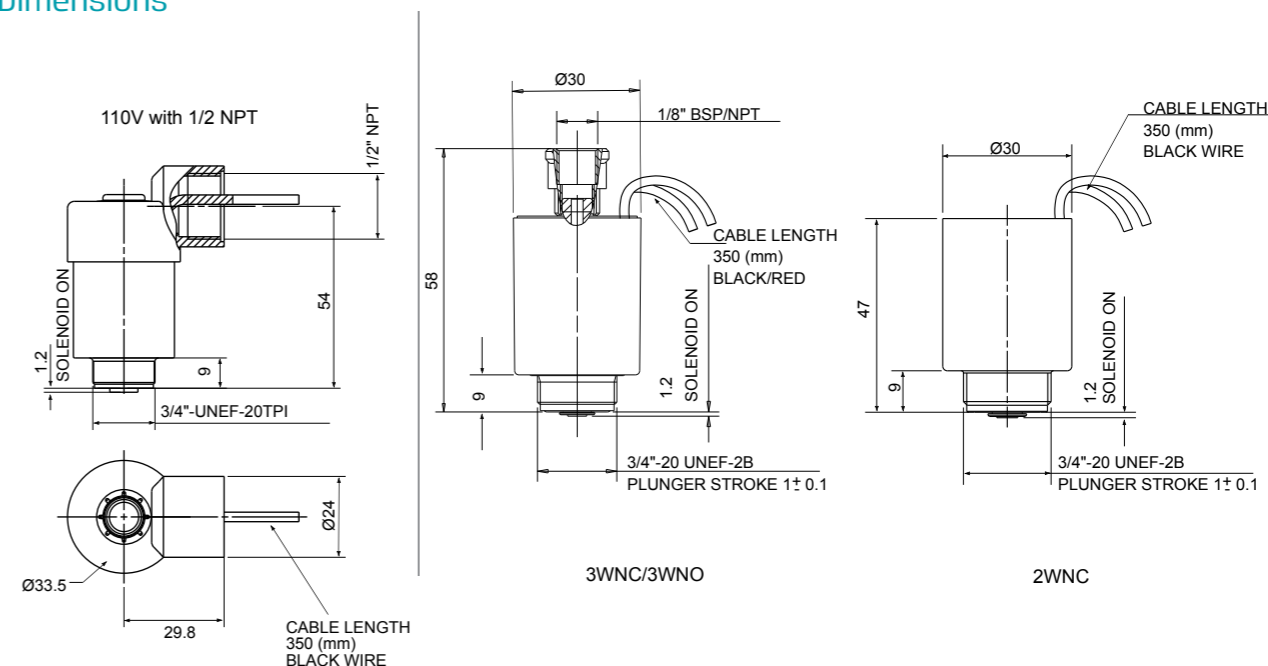
Voltage & Power Consumption

	AC (W) 50 Hz	DC (W)
V	2	4.5
12	•	•
24	•	•
110	•	
	2W only	

• Available options

Operators | G75 | AC/DC 2 Way, 3 Way NC, NO

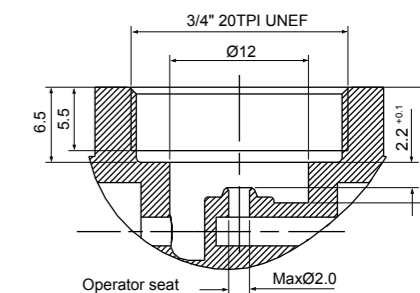
Dimensions



How to Order

G75-0	FUNCTION			VOLTAGE		
	2W NC	1		24V AC	1	
				24V AC w/out Diode (1)	1R	
				12V AC	3	
				12V DC	4	
				24V DC	5	
				110V AC	7	

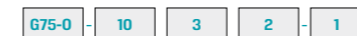
G75-0	PORT		FUNCTION		ORIFICE	
	1/8" BSP	10	3W NC	3	1.0	1
1/8" NPT	11	3W NO	4	1.2	2	
				1.6	3	



Example : G75-0-1-1
G75 operator, 2W NC, 24V AC



Example : G75-0-1032-1
G75 operator, 1/8" BSP, 3W NC, DC, 1.2 orifice, NBR, 24V AC



(1) 3W NO 1.6 mm : Max pressure is 8 bars

* To order operators manufactured according to your specific requirements, please contact our technical sales department.