

GEM-FLOW™ | G75-O

AC/DC Operator 2 Way, 3 Way NC, NO

Applicable for G75-A, Galit, G75-S & G75-Z valves

Technical Data

Function	2 Way, 3 Way NC, NO
Orifice size	2 Way: No orifice 3 Way: See table
Pressure range (bars)	See solenoid valve performances
Temperature range	Fluid: 5°C to 50°C (no freezing) Ambient: -10°C to 50°C
Materials in contact with media	Housing: Plastic (Reinforced Nylon 66) Plunger & pole: Stainless Steel AISI 430F Rubber Seals: EPDM Encapsulate: Polyurethane Spring: Stainless Steel AISI 300 series
Media	Air, water, oil *
Threads on operator tube	G1/8" or 1/8" NPT female to connect exhaust, muffler etc
Operator assembly	By manually screwing 3/4" UNEF to valve body. • Max. tightening torque: 2 N/m
Electrical connection	Lead wires 35 cm, 18 AWG (0.75mm ²) * other lengths are available
Coil voltage	• Voltage and power consumption - see table
Standard protection class	IP66

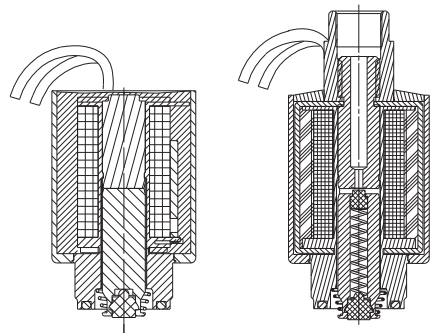
* For other fluids and for use in abnormal conditions, please contact our technical sales department



2 Way Operator



3 Way Operator



2 Way NC

3 Way NC / 3 Way NO

Working Pressure (bar) 2 Way NC

Orifice (mm)	up to 2.0
Pressure (bar)	12

Working Pressure (bar) 3 Way NC

Orifice (mm)	1.0	1.2	1.6
AC Pressure (bar)	16	11	6
DC Pressure (bar)	12	9	5

Working Pressure (bar) 3 Way NO

Orifice (mm)	1.0	1.2	1.6
Pressure (bar)	16	12	10

Voltage & Current

AC & DC

Solenoid	Voltage	Inrush [A]	Holding [A]
2 Way 50 Hz	V	0.3	0.19
2 Way 60 Hz		0.2	0.14
3 Way 50/60 Hz *		0.125	0.125
DC		4.5W	

* Except 24V AC without Diode

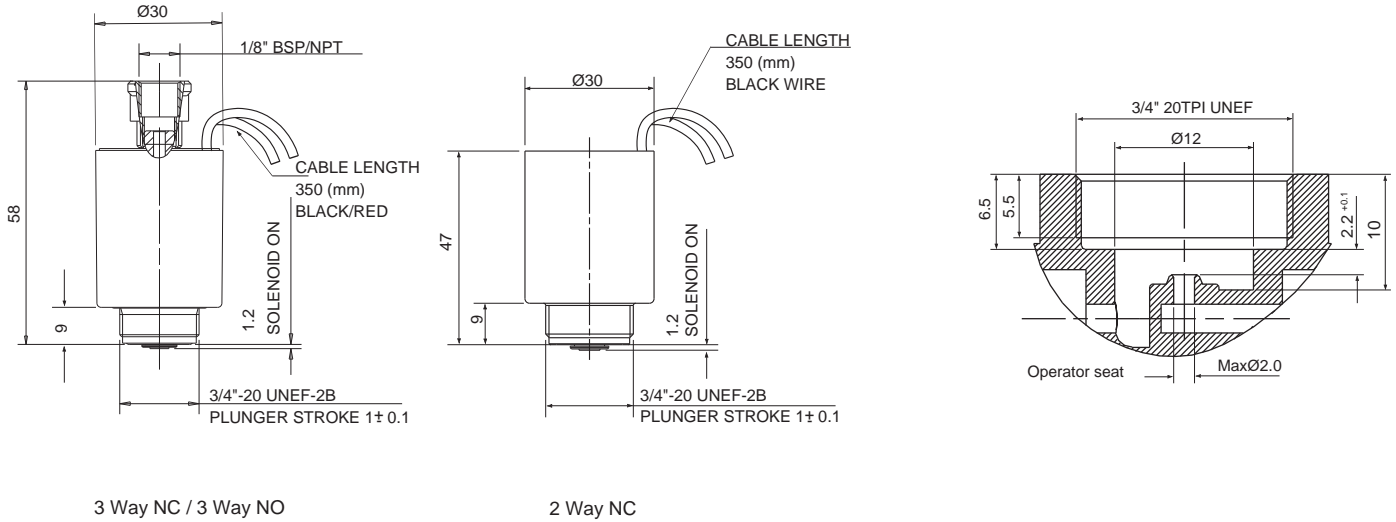
Voltage & Power Consumption

V	AC (W)	DC (W)
2	2	4.5
12	•	•
24	•	•
110	•	
	2 Way only	

• Available options

GEM-FLOW™ | G75-O | AC/DC Operator 2 Way, 3 Way NC, NO

Dimensions



How to Order

2 Way

G75-0	-	FUNCTION	VOLTAGE	
		2W NC	1	
			24V AC	1
			24V AC w/out Diode ⁽¹⁾	1R
			12V AC	3
			12V DC	4
			24V DC	5
			110V AC	7

G75-0	-	PORT	FUNCTION	ORIFICE
		1/8" BSP	10	3W NC 3 1.0 1
		1/8" NPT	11	3W NO 4 1.2 2
				1.6 3

Example: G75-0-1-1

GEM-FLOW™ G75 Operator, 2W NC, 24V AC

Example: G75-0-1032-1

GEM-FLOW™ G75 Operator, 1/8" BSP, 3W NC, 1.2 orifice, 24V AC

(1) 3W NO 1.6 mm: Max pressure is 8 bar

* To order operators manufactured according to your specific requirements, please contact our technical sales department