

SOLENOID VALVES | Special Purpose

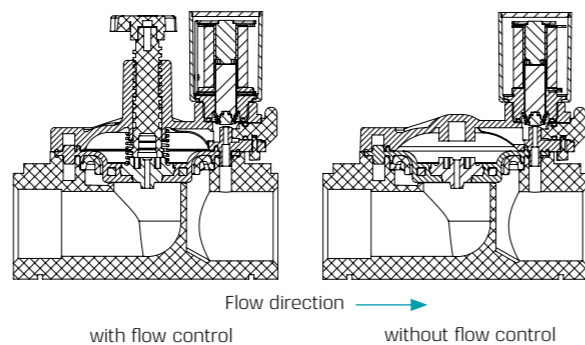
Plastic

G75-S | Electric 3/4" - 2" 2 Way NC



1" | NC
Plastic manual override

2" | NC Latch
Handle manual override



Flow direction →
with flow control without flow control

Technical Data

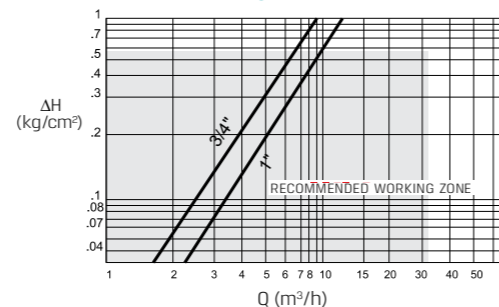
Function	2 Way NC
Ports size	3/4", 1", 1-1/2", 2" BSPT & NPT
Pressure range	0.3 to 10 bar
Temperature range	Fluid : 5°C to 50°C (no freezing) Ambient : -10°C to 50°C
Materials in contact with media	Manual override: Reinforced Nylon Main Valve: Reinforced Nylon Solenoid Operator: Stainless Steel AISI 300 & 400 series Diaphragm: NR Seals: NBR Spring: Stainless Steel AISI 300 series
Solenoid	• G75, 2W NC solenoids, all voltages. • AC, DC and Latch
Coil voltage	• Voltage and power consumption - see table • All Baccara coil voltages are ± 10% of nominal

Voltage & Power Consumption

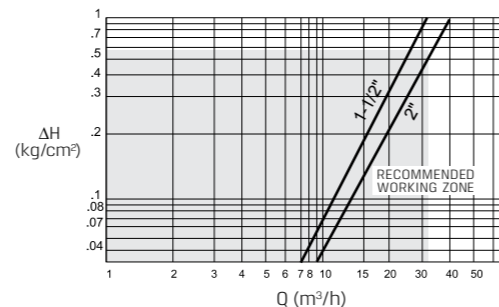
V	AC (W)	DC (W)
	50 Hz	
12	•	•
24	•	•
110	•	

• Available options

Head loss for fully open valve



Head loss for fully open valve



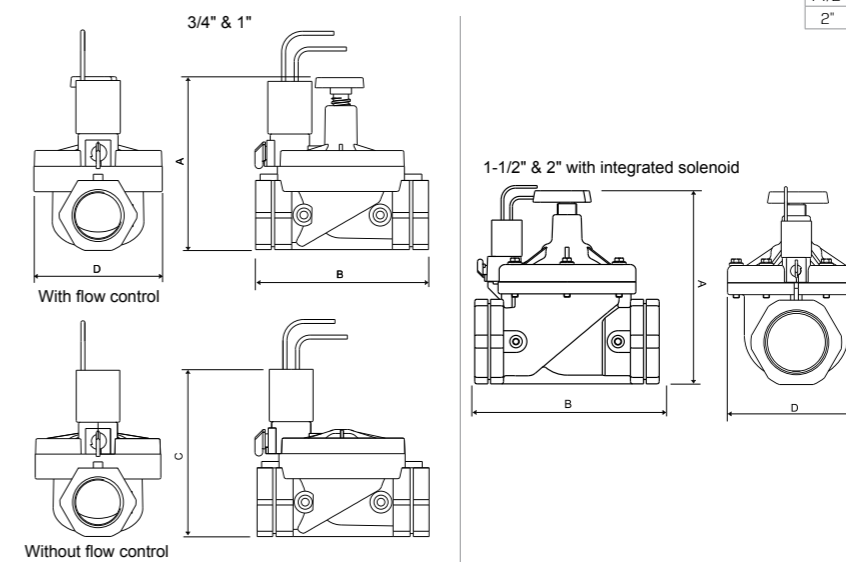
Voltage & Current table

Solenoid	Voltage	Inrush [A]	Holding [A]
2W 50 Hz	V +10%	0.3	0.19
2W 60 Hz		0.2	0.14
3W 50/60 Hz	V n-20%	0.125	0.125
DC		4.5W	

Plastic | G75 | Electric 3/4" - 2" 2 Way NC

Dimensions

Size	A	B	C	D	Weight (gr)
3/4"	105	110	105	81	230
1"	112	110	112	81	230
1-1/2"	180	160	126	127	740
2"	190	170	126	127	790



How to Order

G75-S	PORT	FUNCTION	MANUAL OVERRIDE	FLOW CONTROL	VOLTAGE ⁽³⁾	WIRES						
	3/4" BSPT	50	2W NC	1	None	0	with	5	24V AC	1	two	Null
	3/4" NPT	51			Plastic	1	without ⁽²⁾	6	12V AC	3	three ⁽¹⁾	a
	1" BSPT	60			Handle ⁽¹⁾	2			12V DC	4		
	1" NPT	61							24V DC	5		
	1-1/2" BSPT	70							23Ω	6		
	1-1/2" NPT	71							110V AC	7		
	2" BSPT	80							4Ω	B		
	2" NPT	81							9Ω	C		
									12Ω	D		

Coil resistance vs input voltage range

Resistance [Ω]	Suitable input voltage range [V]
4	6 - 9
9	12 - 14
12	14 - 16
23	18 - 21

Example : G75-S-501051

G75 electric valve, 3/4" BSPT, 2W NC, no manual override, with flow control, 24V AC, two wires

G75-S - 50 1 0 5 1

- (1) For Latch only
- (2) 3/4", 1" valves only
- (3) For Latch : Refer to coil resistance vs input voltage table

* To order valves manufactured according to your specific requirements, please contact our technical sales department.