

# PROCESS VALVES

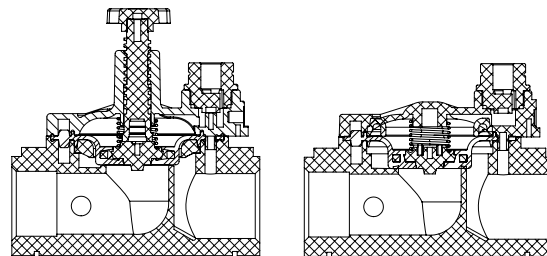
## Diaphragm | Plastic

### G75-S | Hydraulic 3/4" - 2" 2 Way



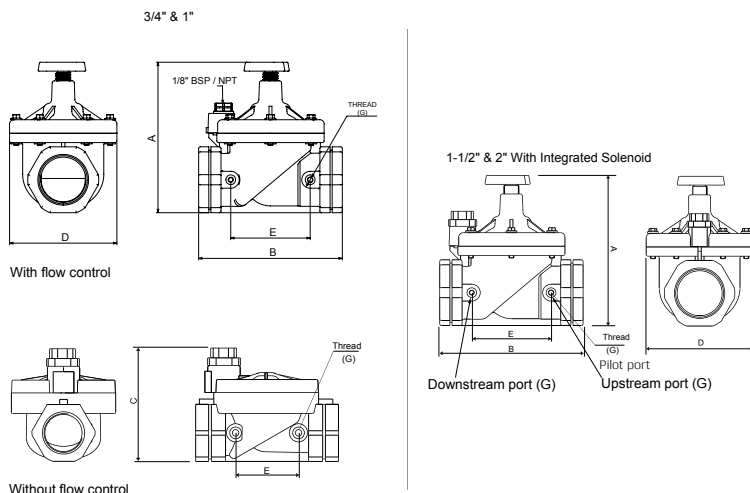
1" | no inline pilot port | with flow control

1-1/2" | upstream inline pilot port | with flow control



Flow direction →  
with flow control                      without flow control

### Dimensions



| Size   | A   | B   | C  | D   | E    | ØG          | Weight (gr.) |
|--------|-----|-----|----|-----|------|-------------|--------------|
| 3/4"   | 105 | 110 | 77 | 81  | 52.5 | 1/8"NPT/BSP | 230          |
| 1"     | 112 | 110 | 84 | 81  | 48.5 | 1/8"NPT/BSP | 230          |
| 1-1/2" | 180 | 160 | 98 | 127 | 92   | 1/4"NPT/BSP | 740          |
| 2"     | 190 | 170 | 98 | 127 | 94   | 1/4"NPT/BSP | 790          |

### Technical Data

|                                 |   |
|---------------------------------|---|
| Function                        | 2 Way   |
| Ports size                      | 3/4", 1", 1-1/2", 2" BSPT & NPT   |
| Pressure range                  | 0.3 to 10bar  |
| Temperature range               | <b>Fluid</b> : 5°C to 50°C (no freezing)  |
| Materials in contact with media | <b>Main Valve:</b><br>Reinforced Nylon<br><b>Diaphragm:</b><br>NR<br><b>Seals:</b><br>Buna - N<br><b>Spring:</b><br>Stainless Steel AISI 300 series |

• **Head Loss** : please refer to G75-S | Electric 3/4" - 2" 2 Way NC

### How to Order

| G75-S       | -  | PORT            | FUNCTION | INLINE PILOT PORTS     | FLOW CONTROL |
|-------------|----|-----------------|----------|------------------------|--------------|
| 3/4" BSPT   | 50 | none            | 0        | with                   | 5            |
| 3/4" NPT    | 51 | upstream only   | 1        | without <sup>(1)</sup> | 6            |
| 1" BSPT     | 60 | downstream only | 2        |                        |              |
| 1" NPT      | 61 | both            | 3        |                        |              |
| 1" slip in  | 62 |                 |          |                        |              |
| 1-1/2" BSPT | 70 |                 |          |                        |              |
| 1-1/2" NPT  | 71 |                 |          |                        |              |
| 2" BSPT     | 80 |                 |          |                        |              |
| 2" NPT      | 81 |                 |          |                        |              |

#### Example : G75-S-5015

G75 hydraulic valve, 3/4" BSPT, 1/8" upstream inline pilot port, with flow control.

G75-S - 50 1 5

(1) 3/4", 1" valves only

\* To order valves manufactured according to your specific requirements, please contact our technical sales department.