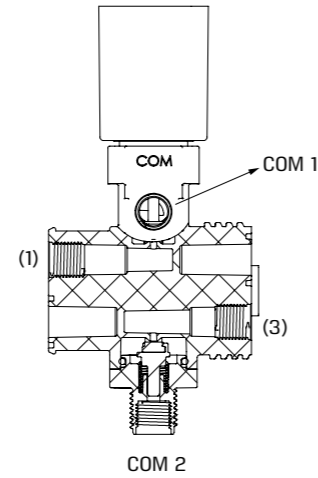


SOLENOID VALVES

G75-VSA | Stand-alone solenoid 3 Way NC, NO



Technical Data

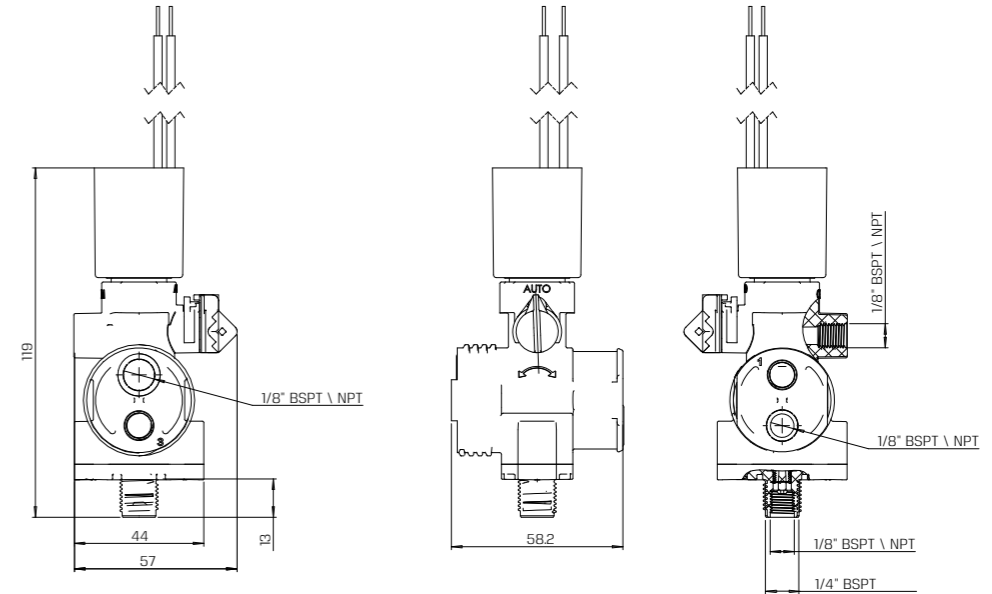
Function	3 Way NC, NO
Ports size	1/8" BSPT & NPT
Orifice size	1.8 mm
Pressure range	0 to 8 bar
Switching time	30-50 ms
Temperature range	Fluid : 0°C to 50°C (no freezing) Ambient : -10°C to 50°C
Materials in contact with media	Manual override: Plastic (Reinforced Nylon) Main Valve: Plastic (Reinforced Nylon & POM) Solenoid Operator: Stainless Steel AISI 300 & 400 series Seals: EPDM
Mounting	Lock nut on the bottom COM port
Manual override	3 positions latch : Auto, Close, Open
Media	Air, water
Coil voltage	Latch
Standard protection class	IP66

PORT	NO	NC
1	Exhaust	Pressure
3	Pressure	Exhaust
COM	Out	Out

* Can **only** be operated with supplied coil

G75-VSA | Stand-alone solenoid 3 Way NC, NO

Dimensions



How to Order

G75-VSA	BODY	PORT	FUNCTION	MANUAL OVERRIDE	ORIFICE	SEALS	LATCH TYPE ⁽¹⁾	OUTLET ⁽²⁾	WIRES
	Plastic 4	1/8" BSPT 10 1/8" NPT 11	3W NC 3 3W NO 4	Plastic 1	1.8 3a	EPDM E	4Ω SB 9Ω SC 12Ω SD 23Ω S6	COM 1 1 COM 2 2	two Null three a

Coil resistance vs input voltage range

Resistance [Ω]	Suitable input voltage range [V]
4	6 - 9
9	12 - 14
12	14 - 16
23	18 - 21

Example : G75-VSA-410313aE-SB1

G75-A stand-alone solenoid, plastic, 1/8" BSPT, 3W NC, plastic manual override, 1.8 orifice, EPDM seals, 4Ω latch, COM 1 outlet, two wires

G75-VSA	-	4	10	3	1	3a	E	-	SB	1
---------	---	---	----	---	---	----	---	---	----	---

(1) Refer to coil resistance vs input voltage table
(2) A plug will be fitted on the other outlet port

* To order valves manufactured according to your specific requirements, please contact our technical sales department