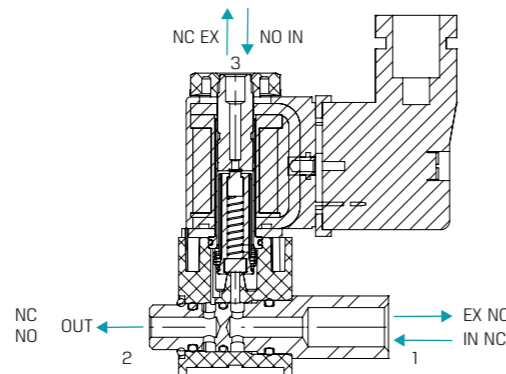


SOLENOID VALVES | General Purpose

Direct Operated | 3W

G80-BNJ | 1/8", 3 Way NC, NO



Technical Data

Function	3 Way NC, NO
Ports size	1/8" BSP
Orifice size	See table
Pressure range	See table
Kv (l/min)	See table
Temperature range	Fluid : -10°C to 80°C (no freezing) Ambient : -10°C to 50°C
Materials in contact with media	Manual override: Plastic Main Valve: Plastic (PA6 + FG) Metal Insert : Stainless Steel AISI 303 Solenoid Operator Stainless Steel AISI 300 & 400 series & Brass Seals: NBR, FKM, EPDM
Media	Air, water, oil
Coil voltage	• Voltage and power consumption - see table • All Baccara coil voltages are ± 10% of nominal
Standard protection class	IP65 with connector

Max. Pressure (bar) 3W NC table

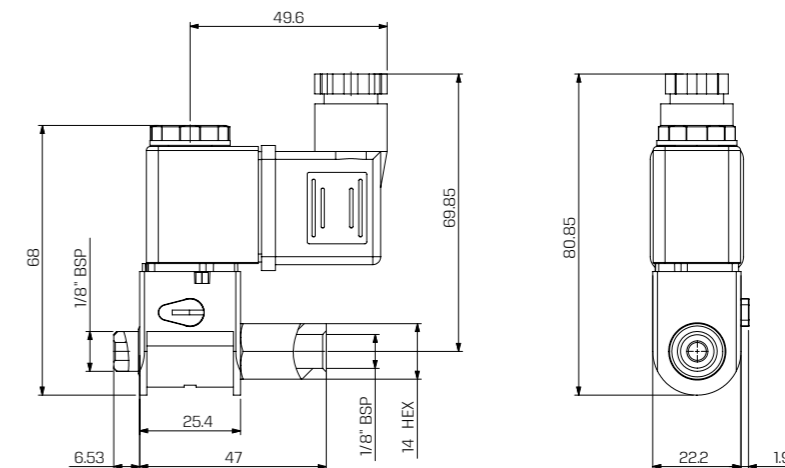
Coil Current/Power	Orifice (mm)
	2.0
AC - 75W	7
DC - 6.5W ⁽²⁾	7
Flow factor Kv(l/min)	1.4

Max. Pressure (bar) 3W NO table

Coil Current/Power	Orifice (mm)
	1.6
AC - 75W	7
DC - 6.5W ⁽²⁾	7
Flow factor Kv(l/min)	0.7

Direct Operated | 3W | G80 | 1/8" NC, NO

Dimensions



Model Selection

- STANDARD** | Reduced lead times, No MOQ.
- SEMI-STANDARD** | Normal lead times, No MOQ.
- SPECIAL** | Extended lead times, Non-stock items, MOQ may be applicable. For a quote, please contact our sales department.

* For available options, please refer to **VOLTAGE & POWER CONSUMPTION** table below

G80-BNJ	BODY	PORT	FUNCTION	ORIFICE ⁽¹⁾		SEALS		MANUAL OVERRIDE	VOLTAGE & POWER CONSUMPTION									
				1.6	2.0	NBR	FKM		EPDM	V	W/out coil	No coil	CONNECTOR					
	Plastic	4	1/8" BSP	10	3W NC	3	1.6	3	NBR	N	Plastic	1	W/out coil	0	No coil	0	None	0
					3W NO	4	2.0	4	FKM	V			12	2	AC75W 50Hz	1	with	1
									EPDM	E			24	3	DC6.5W ⁽²⁾	3	with bi-color LED	2
													110	5			surge protection with LED	3
													230	7			flying leads coil	4
																	other	9

Voltage & Power Consumption

V	AC (W)			DC (W)	
	50 Hz	60 Hz		6.5	3
6					
12				▲	
24	▲			▲ ⁽²⁾	
110	▲				
230	▲				

Available options:
 ▲ STANDARD
 ● SEMI-STANDARD
 ■ SPECIAL

Example : G80-BNJ-41034N1-331

G80 direct operated, plastic, 1/8" BSP, 3W NC, 2.0 orifice, NBR, plastic manual override, 24VDC 6W with connector

G80-BNJ - 4 10 3 4 N 1 - 3 3 1

(1) 3W NC available with 2.0mm orifice, 3W NO available with 1.6mm orifice
 (2) 24VDC is 6Watt, 12VDC is 6.5Watt

* When ordering without coil, please define what current and pressure rating is needed (DC, AC)

* To order valves manufactured according to your specific requirements, please contact our technical sales department.