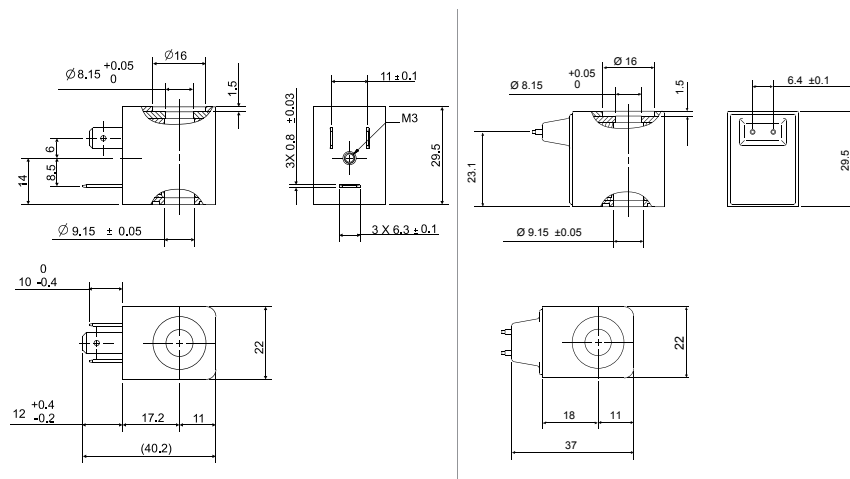


SOLENOID VALVES | Spare Parts

Coils

G80-B | Coil



Technical Data

Coil winding insulation	F 155°C
Temperature range	Coil : -20°C to 120°C Ambient : -20°C to 50°C
Construction	in accordance with EN 60204.1
Duty cycle *	100% ED
Electrical connection	<ul style="list-style-type: none"> AMP 6.3x0.8, DIN 43650, 2 poles + 1 earth 2 flying leads, 20AWG
Connector	<ul style="list-style-type: none"> DIN 43650 Fixture : M3 screws, 2 positions at 180° * Max. tightening torque for the connector screw : 0.5 Nm
Assembly	On a valve, 4 positions at 90°
Coil fixing	On a G80 operator with M8x0.75 nut
Impregnation	Optional
Coil voltage	<ul style="list-style-type: none"> Voltage and power consumption - see table All Baccara coil voltages are ±10% of nominal
Standard protection class	IP65 with connector

- The coil should not be energized without being assembled on the operator
- * Please consult with our technical sales department :
 - for further information on using different power coils (not shown in the table)
 - for long term operation

How to Order

G80-B	-	VOLTAGE	POWER	CONNECTOR
6	1	AC75W 50Hz	1	without 0
12	2	AC6W 60Hz	2	with 1
24	3	DC6.5W	3	with bi-color LED with LED & surge protection 2
110	5	AC4W 50Hz	4	with LED & surge protection 3
230	7	AC3W 60Hz	5	flying leads coil 4
		DC3W	7	other 9

Example : G80-B-331

G80 Coil 24V DC 6.5W with connector.



Power Consumption table (AC)

Type	50 Hz	
	Inrush	Holding
7.5W	12.5VA	10.5VA
4W	7VA	5VA

Power Consumption table (DC)

Type
6.5W
3W

Voltage & Power Consumption

V	AC (W)			DC (W)	
	50 Hz	60 Hz	3	6.5	3
6				•	•
12	•	•	•	•	•
24	•	•	•	•	•
110	•	•	•		
230	•	•	•		

- Available options

* To order coils manufactured according to your specific requirements, please contact our technical sales department.