

PROCESS VALVES

Globe | Metal

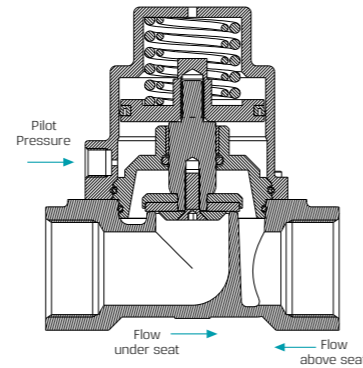
GC | 1/4" - 1" 2 Way NC



Plastic cover



Brass cover

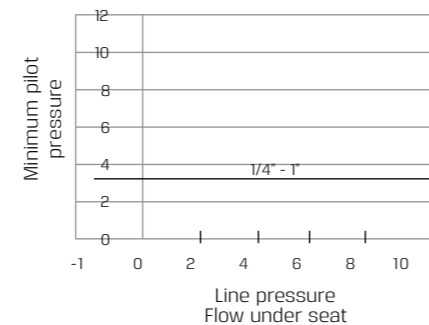
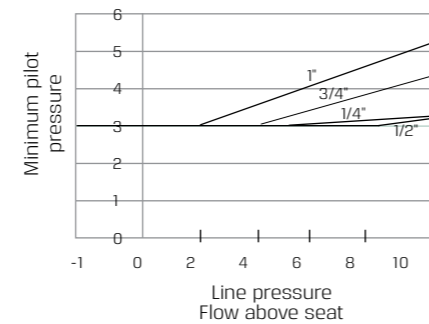


Technical Data

Function	2 Way NC
Ports size	1/4", 3/8", 1/2", 3/4", 1" BSP & NPT
Pressure range	See table
Temperature range	Fluid : -5°C to 60°C (no freezing) Ambient : -10°C to 50°C
Materials in contact with media	Main Valve: Brass or Stainless Steel AISI 316 Seals: NBR/PU, FPM (Viton®), EPDM and PTFE

Pressure (bar) & Flow table

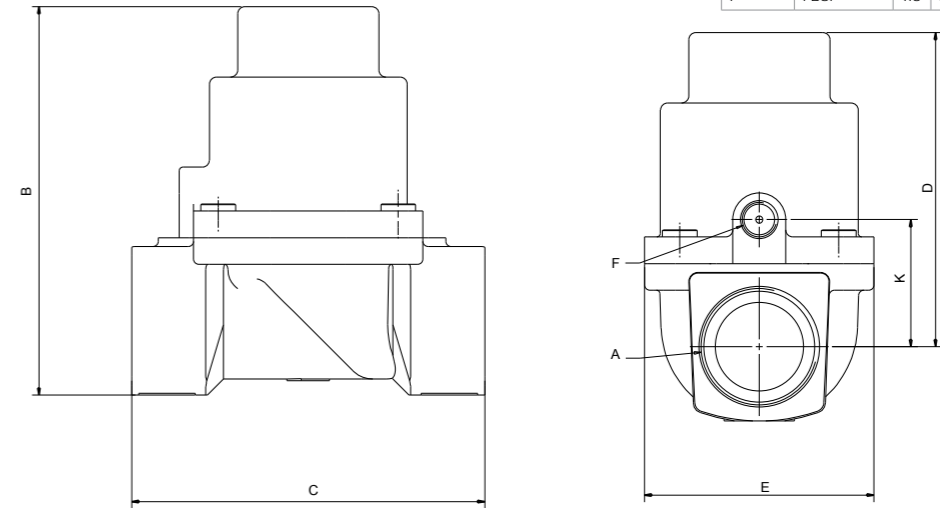
Size	Orifice (mm)	Line Pressure
1/4"	8	Vacuum - 10 bar
3/8", 1/2"	12	Vacuum - 10 bar
3/4"	20	Vacuum - 10 bar
1"	25	Vacuum - 10 bar



Globe | Metal | GC | 1/4" - 1" 2 Way NC

Dimensions

Size	A	B	C	D	E	K	F
1/4"	1/4"BSP	62	58	50	32	23	1/8"BSP
3/8", 1/2"	3/8", 1/2"BSP	78	69	65	38	27	1/8"BSP
3/4"	3/4"BSP	86	89	69	55	34	1/8"BSP
1"	1"BSP	110	100	89	65	36	1/8"BSP



How to Order

GC	BODY	TYPE	PORT	FUNCTION	SEALS
	Brass 2	Globe 1	1/4"BSP 20	2W NC 1	NBR/PU N
	Stainless Steel 3		1/4"NPT 21	2W NC bidirectional 1a	FPM (Viton®) V
			3/8"BSP 30		EPDM E
			3/8"NPT 31		PTFE T
			1/2"BSP 40		
			1/2"NPT 41		
			3/4"BSP 50		
			3/4"NPT 51		
			1"BSP 60		
			1"NPT 61		

Example : GC-2160-1N

GC Globe cylinder, brass body, 1" BSP, 2W NC, NBR seals.

GC - 2 1 60 - 1 N

* To order valves manufactured according to your specific requirements, please contact our technical sales department.