

SOLENOID VALVES | Special Purpose

Isolated

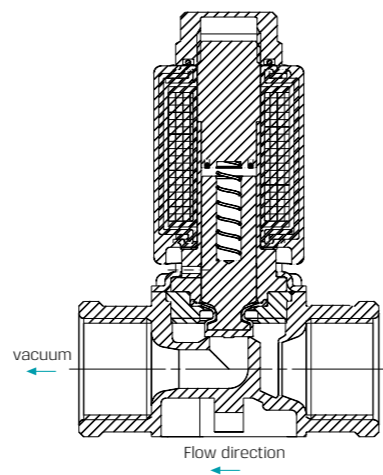
GEM-C | Chem-Sol 1/2" 2 Way NC



1/2" | Vacuum



with Manual Override



Technical Data

Function	2 Way NC
Ports size	1/2" BSP & NPT
Orifice size	8mm
Pressure range	See table
Kv (l/min)	18 l/min
Temperature range	Fluid : 5°C to 50°C (no freezing) Ambient : -10°C to 50°C
Materials in contact with media	Manual override: Plastic * Available for vacuum application only Main Valve: PVC Seals: FPM (Viton®), EPDM
Applications	<ul style="list-style-type: none"> Chemical process Water treatment Analysis device etc
Coil voltage	<ul style="list-style-type: none"> Voltage and power consumption - see table All Baccara coil voltages are from -5% to ±10% of nominal
Standard protection class	IP65 with connector * Option : IP68 (please refer to GEM-BP Coil)

• Supplied with mounting threads on request, please specify.

Pressure (bar) table NC

Coil	Flow direction not restricted	Flow direction restricted
AC 8W, DC10W	0 to 0.7 bar	Min dp 0.3 bar

Vacuum (bar) table NC

Coil	Flow direction not restricted	Flow direction restricted
AC 8W	-1 to 0.5 bar	-1 to 0.5 bar
AC 5.5W	-0.5 to 0.5 bar	-0.8 to 0.5 bar
DC 10W	-0.4 to 0.5 bar	-0.6 to 0.5 bar

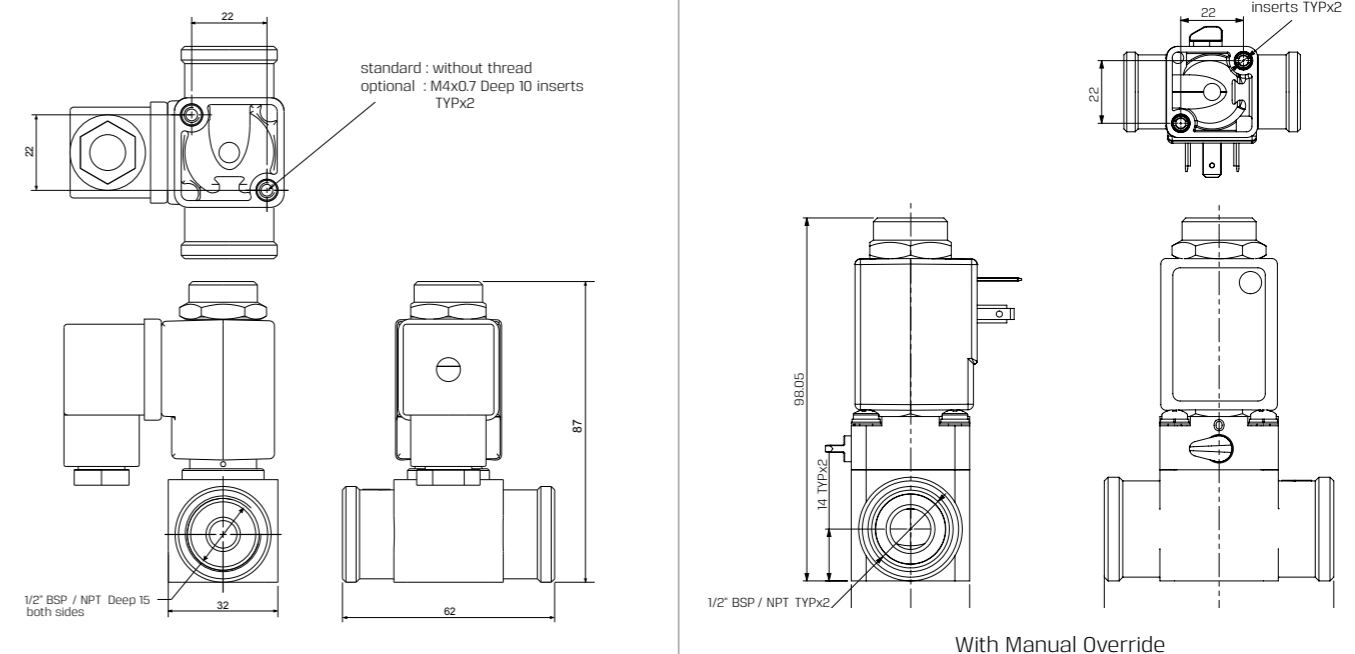
Voltage & Power Consumption

V	AC (W)						DC (W)		
	50 Hz			60 Hz			10	5.5	3.5
6							•	•	
12	•	•		•	•		•	•	
24	•	•	•	•	•	•	•	•	
48	•	•		•	•		•	•	
110	•	•		•	•	•	•	•	
120	•	•		•	•				
220	•	•	•	•	•		•	•	
230	•	•	•	•	•				
240	•	•		•	•		•	•	

- Available options :
- Vacuum
- Pressure

Isolated | GEM-SOL | Chem-Sol 1/2" 2 Way NC

Dimensions



How to Order

GEM-C	PORT	FUNCTION	PRESSURE	SEALS	MANUAL OVERRIDE	* When ordering without coil, please define what current and pressure rating is needed (DC, AC)			
						VOLTAGE	POWER	CONNECTOR	
	1/2" BSP	40	2W NC 1	Vacuum 1 FPM (Viton®) V	None	Null	W/out coil 0	No coil 0	without 0
	1/2" NPT	41		Pressure 2 EPDM E	Plastic (1)	1	6	1	AC8W 50Hz 1 with 1
							12	2	AC8W 60Hz 2 with LED 2
							24	3	DC10W 3 with bi-color LED 3
							48	4	AC5.5W 50Hz 4 flying leads coil 4
							110	5	AC5.5W 60Hz 5 with 1/2" Hub 5
							120	6	surge protection with LED connector with LED cable 6
							220	7A	connector with moulded cable 7
							230	7	other 9
							240	8	
							Latch/other (2)	9	

Example : GEM-C-4011V1-321

GEM-SOL Chem-Sol, 1/2"BSP, 2W NC for vacuum, FPM (Viton®), plastic manual override, 24V AC 8W 60Hz with connector.

GEM-C - 40 1 1 V 1 - 3 2 1

(1) Available for Vacuum application only

(2) For specifying Latch type coil, please refer to GEM-A3P valve - How to Order table

* To order valves manufactured according to your specific requirements, please contact our technical sales department.