

# SOLENOID VALVES | General Purpose

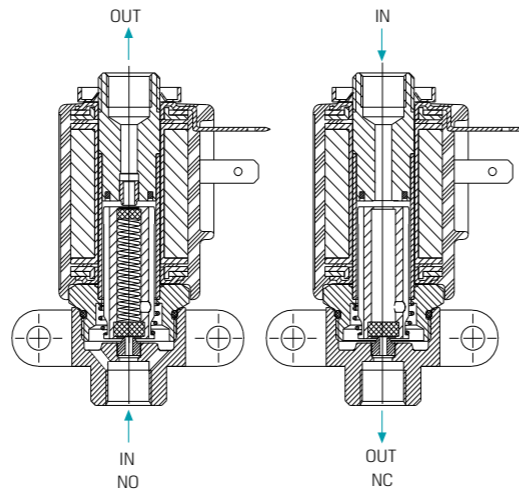
## Direct Operated | 2W

### GEM-I | Inline 1/8", 1/4" 2 Way NC, NO



Inline

Hex. Brass



### Technical Data

Function	2 Way NC, NO
Ports size	1/8", 1/4" BSP & NPT
Orifice size	See table
Pressure range	See table • Higher pressures are available
Kv (l/min)	See table
Temperature range	<b>Fluid</b> : -10°C to 80°C (no freezing) <b>Ambient</b> : -10°C to 50°C
Materials in contact with media	<b>Main Valve:</b> Brass <b>Solenoid Operator:</b> Stainless Steel AISI 300 & 400 series <b>Seals:</b> NBR, FKM, EPDM
Media	Air, water, oil
Coil voltage	• Voltage and power consumption - see table • All Baccara coil voltages are ± 10% of nominal
Standard protection class	IP65 with connector * Option : IP68 (please refer to GEM-BP Coil)

• Latch valves are available upon request.

### Max. Pressure (bar) 2W NC table

Coil Current/Power	Orifice (mm)					
	0.8	1.6	2.4	3.0	4.0	6.0
ADC *	40	30	17	10	5	1.1
AC8W, DC10W	45	37	20	12	6	1.8
AC5.5W	40	32	16	8	2	0.5
DC5.5W	35	30	12	6	2	0.5
Flow factor Kv(l/min)	0.5	1.7	3.5	4.5	5	6

### Max. Pressure (bar) 2W NO table

Coil Current/Power	Orifice (mm)			
	0.8	1.6	2.4	3.0
ADC *	32	27	13	9
AC8W, DC10W	35	32	18	12
Flow factor Kv(l/min)	0.5	1.6	3.2	3.8

\* ADC valves are only suitable for use with AC8W or DC10W coils.

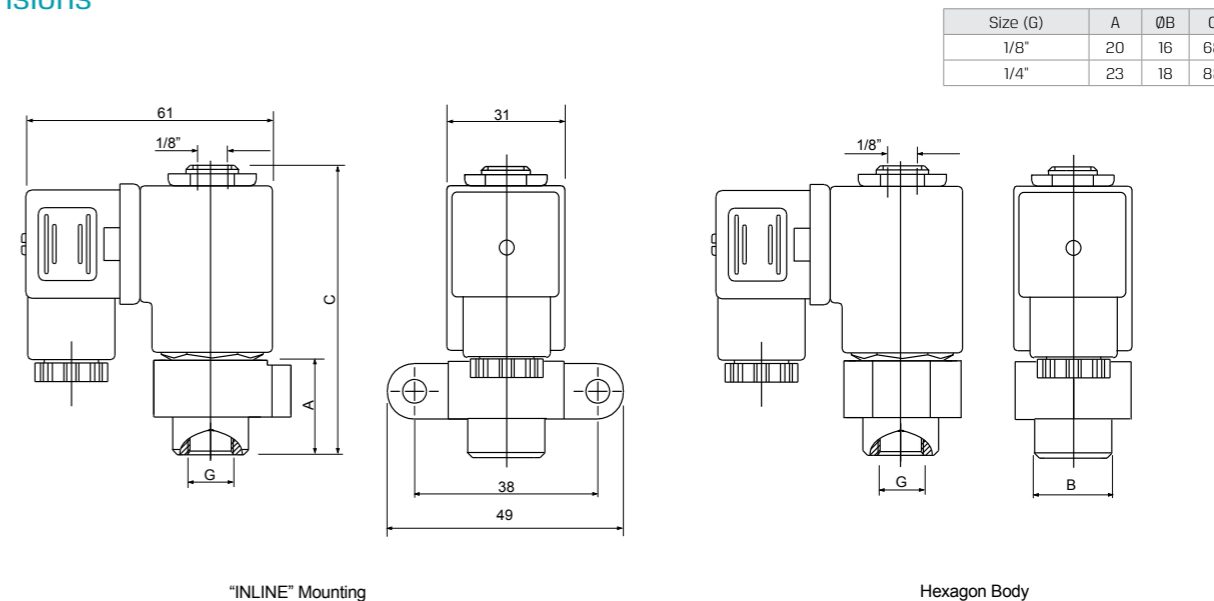
### Voltage & Power Consumption

V	AC (W)						DC (W)		
	50 Hz			60 Hz			10	5.5	3.5
	8	5.5	2.5	8	5.5	2.5			
6							•	•	•
12	•			•			•	•	•
24	•	•		•	•		•	•	
48	•			•			•		
110	•			•	•		•		
120	•			•					
220	•	•		•			•		
230	•	•							
240	•			•			•		

• Available options

## Direct Operated | 2W | GEM-SOL | Inline 1/8", 1/4" NC, NO

### Dimensions



Size (G)	A	ØB	C
1/8"	20	16	68
1/4"	23	18	88

### How to Order

GEM-I	BODY	PORT	FUNCTION	ORIFICE (1)	SEALS	VOLTAGE	POWER	CONNECTOR							
Hex. Brass	4	1/8" BSP	10	2W NC	1	0.8	1	NBR	N	W/out coil	0	No coil	0	without	0
"Inline" mounting	5	1/8" NPT	11	2W NO	2	1.2	2	FKM	V	6	1	AC8W 50Hz	1	with	1
		1/4" BSP	20			1.6	3	EPDM	E	12	2	AC8W 60Hz	2	with LED	2
		1/4" NPT	21			2.0	4			24	3	DC10W	3	with bi-color LED	3
						2.4	5			48	4	AC5.5W 50Hz	4	flying leads coil	4
						3.0	6			110	5	AC5.5W 60Hz	5	with 1/2" Hub	5
						4.0 (3)	7			120	6	DC5.5W	7	surge protection with LED connector with moulded cable	6
						6.0 (2)(3)	8			220	7A			connector with moulded cable	7
										230	7			other	9
										240	8				
										Latch/other (4)	9				

Example : GEM-I-41015N-311

GEM-SOL direct operated inline, hex. brass, 1/8" BSP, 2W NC, 2.4 orifice, NBR, 24V AC8W 50Hz with connector.

GEM-I - 4 10 1 5 N - 3 1 1

(1) For NO, the maximum orifice size is 3mm

(2) 6mm orifice - for DC only

(3) Hex. body

(4) For specifying Latch type coil, please refer to GEM-A3P valve - How to Order table.

\* Note: When ordering without coil, please define what current and pressure rating is needed (DC, AC or ADC), otherwise an ADC valve will be supplied.

\* To order valves manufactured according to your specific requirements, please contact our technical sales department.