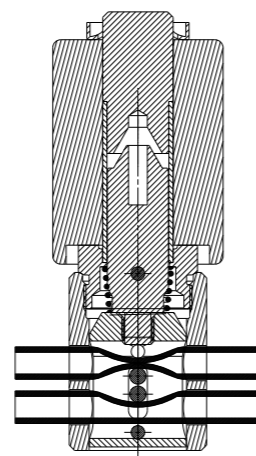


# SOLENOID VALVES | Special Purpose

## Pinch Valves

### GEM-P | Pinch valve 3 Way



#### Technical Data

Function	3 Way
Tubes	Silicone tubes : 6x4mm
Pressure range	0-1 bar
Temperature range	<b>Fluid :</b> -10°C to 80°C (no freezing) <b>Ambient :</b> -10°C to 50°C
Materials	<b>Valve:</b> Aluminium <b>Solenoid Operator:</b> Stainless Steel AISI 300 & 400 series
Materials in contact with media	None * fluid flows through silicone tube
Applications	Where corrosive or contaminated fluid must be controlled, such as in : • Laboratories • Industrial and irrigation control • Analysis devices
Coil voltage	• Voltage and power consumption - see table • All Baccara coil voltages are ± 10% of nominal • DC 14W - max 70% duty cycle • Ton = 7 [min] max
Standard protection class	IP65 with connector * Option : IP68 (please refer to GEM-BP Coil)

• For AC, use rectifier connector.

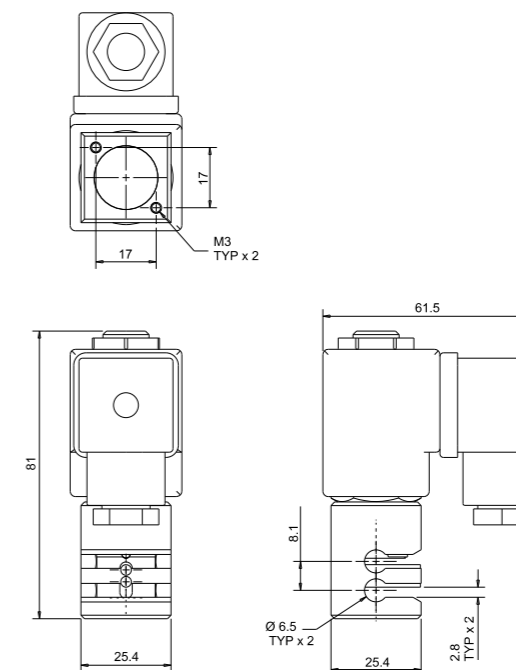
#### Voltage & Power Consumption

V	DC (W)			
	14	10	5.5	3.5
6				
12				
24	•			
48				
110				
120				
220				
230				
240				

• Available options

## Pinch Valves | GEM-SOL | 3 Way

#### Dimensions



#### How to Order

GEM-P	TUBE	FUNCTION	VOLTAGE	POWER	CONNECTOR			
Ø 6x4	1	3W	3	24	3 DC 14W	8	without	0
							with	1
							with LED	2
							with bi-color LED	3
							flying leads coil	4
							with 1/2" Hub surge protection with LED	5
							connector with LED	6
							connector with moulded cable	7
							other	9

Example : GEM-P-13-381

GEM-SOL pinch valve for Ø6x4 silicone tube, 3W, 24V DC 14W with connector

GEM-P - 1 3 - 3 8 1

\* To order valves manufactured according to your specific requirements, please contact our technical sales department.