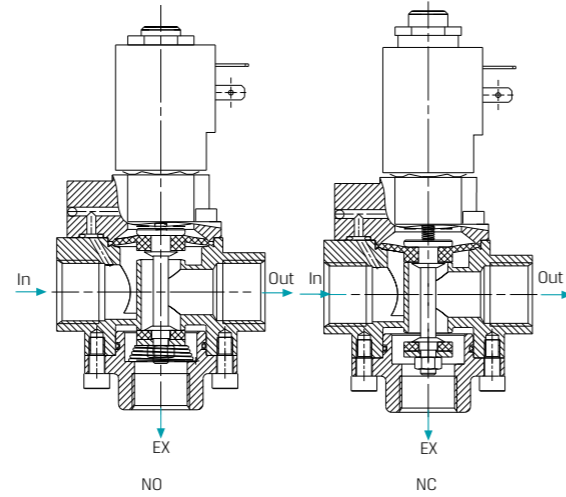


ELECTRIC/HYDRAULIC VALVES | GEM & G75

GEM-S | 1/4" - 1/2" 3 Way NC, NO



Technical Data

Function	3 Way NC, NO
Ports size	1/4", 3/8", 1/2" BSP & NPT
Pressure range	See table
Kv (l/min)	See table
Temperature range	Fluid : -10°C to 80°C (no freezing) Ambient : -10°C to 50°C
Materials in contact with media	Manual override: NC : Push in lock hydraulic bypass NO : Brass screw or finger knob Main Valve: Brass Solenoid Operator: Stainless Steel AISI 300 & 400 series Seals: NBR, FKM, EPDM
Media	Air, water, light oil
Coil voltage	• Voltage and power consumption - see table • All Baccara coil voltages are ± 10% of nominal
Standard protection class	IP65 with connector * Option : IP68 (please refer to GEM-BP Coil)

Pressure (bar) & Flow table

Size	Orifice (mm)	Pressure (bar)	Kv(l/min)
1/4"	8	0.8 to 12	18
3/8", 1/2"	12		50

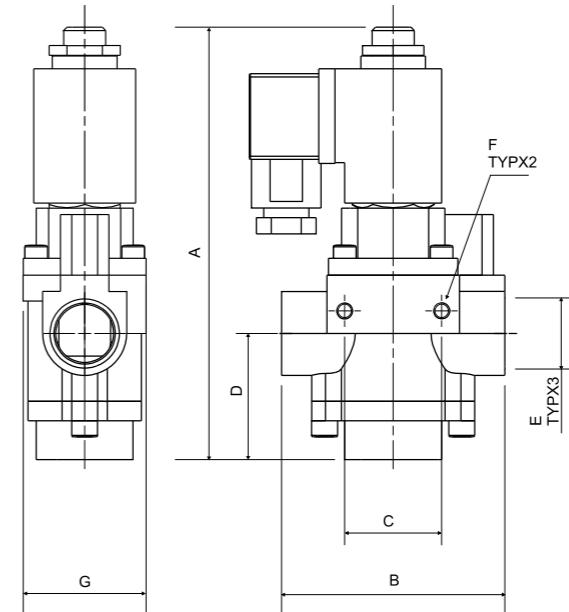
Voltage & Power Consumption

V	AC (W)						DC (W)		
	50 Hz			60 Hz			10	5.5	3.5
6							•		
12	•			•			•		
24	•			•			•		
48	•			•			•		
110	•			•			•		
120	•			•					
220	•			•					
230	•								
240	•			•					

• Available options

GEM-S | 1/4" - 1/2" 3 Way NC, NO

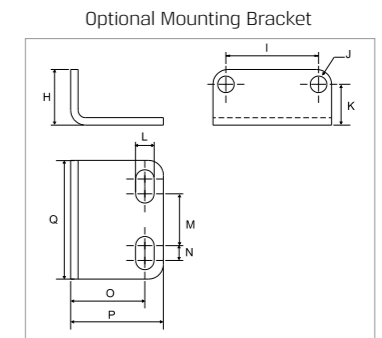
Dimensions



Size	A	B	C	D	E	F	G	Weight with coil
1/4"	124.5	58	25	32.5	1/4"	M4x0.7 Deep 6	32	540gr.
3/8" 1/2"	134	69	30	32.5	1/2"	M5x0.8 Deep 7	38	758gr.

Optional Mounting Bracket

Size	H	I	J	K	L	M	N	O	P	Q
1/4"	15	25	Ø4.5	11	5	14	4	20	25	32
3/8" 1/2"	20	30	Ø6	13	6	22	4	25	33	40



How to Order

GEM-S	-	BODY	PORT	FUNCTION	SEALS	MANUAL OVERRIDE	BRACKET	-	VOLTAGE	POWER	CONNECTOR			
Brass	2	1/4" BSP	20	3W NC	3	NBR	N	None	0	without	0			
		1/4" NPT	21	3W NO	4	FKM	V	Slot ⁽¹⁾	2	with	1			
		3/8" BSP	30			EPDM	E	Push lock ⁽²⁾	5					
		3/8" NPT	31											
		1/2" BSP	40											
		1/2" NPT	41											
									W/out coil	0	No coil	0	without	0
									6	1	AC8W 50Hz	1	with	1
									12	2	AC8W 60Hz	2	with LED	2
									24	3	DC10W	3	with bi-color LED	3
									48	4			flying leads coil	4
									110	5			with 1/2" Hub	5
									120	6			surge protection with LED	6
									220	7A			connector with moulded cable	7
									230	7			other	9
									240	8				
									Latch/other ⁽³⁾	9				

Example : GEM-S-2204V21-311

GEM-SOL pilot operated, brass, 1/4"BSP, NO, FKM, slot manual override with bracket, 24V AC 8W 50Hz with connector

GEM-S - 2 - 20 - 4 - V - 2 - 1 - 3 - 1 - 1

(1) For NO only

(2) For NC only

(3) For specifying Latch type coil, please refer to GEM-A3P valve - How to Order table

* Note: When ordering without coil, please define what current and pressure rating is needed (DC, AC or ADC), otherwise an ADC valve will be supplied

* To order valves manufactured according to your specific requirements, please contact our technical sales department