

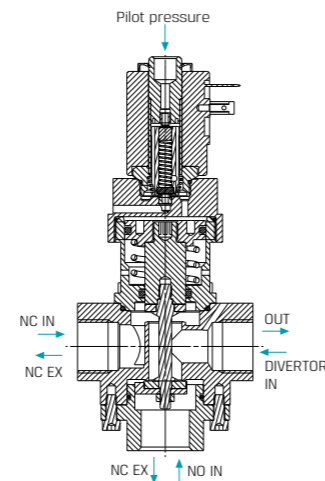
SOLENOID VALVES | General Purpose

Pilot Operated | 3W

GEM-SE | General purpose 1/4" - 1/2" 3 Way



Brass | 1/4"

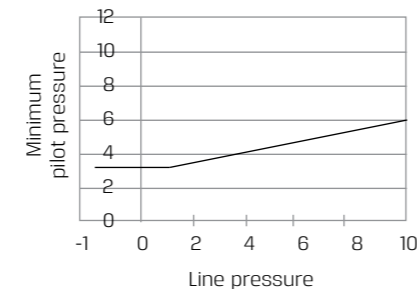


Technical Data

Function	3 Way General purpose
Ports size	1/4", 3/8", 1/2" BSP & NPT
Pressure range	• See table * Min. pilot pressure : 1.5 bar (for other, see graph)
Kv (l/min)	See table
Temperature range	Fluid : -10°C to 80°C (no freezing) Ambient : -10°C to 50°C
Materials in contact with media	Main Valve: Brass Solenoid Operator: Stainless Steel AISI 300 & 400 series Seals: NBR, FKM, EPDM Piston seal PU* * other seals available upon request
Media	Air, water, oil
Standard protection class	IP65 with connector * Option : IP68 (please refer to GEM-BP Coil)

Pressure (bar) & Flow table

Size	Orifice(mm)	Pressure (bar)	Kv(l/min)
1/4"	8	0 to 10	12
3/8"	12		16
1/2"	12		35



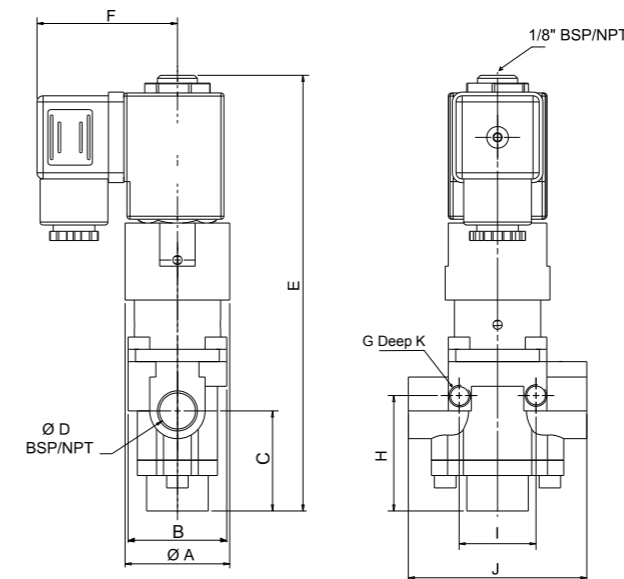
Voltage & Power Consumption

V	AC (W)						DC (W)		
	50 Hz			60 Hz			10	5.5	3.5
6							•	•	
12	•			•			•	•	
24	•	•		•	•		•		
48	•			•			•		
110	•			•	•		•		
120	•			•					
220	•	•		•			•		
230	•	•							
240	•			•			•		

• Available options

Pilot Operated | 3W | GEM-SOL | General purpose 1/4" - 1/2"

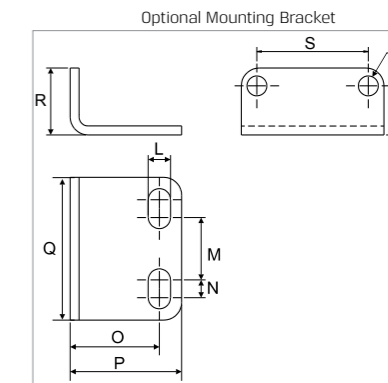
Dimensions



Size	A	B	C	D	E	F	G	H	I	J	K
1/4"	34	32	32.5	1/4"	141.5	45.6	M4	37.5	25	58	6
3/8"	45	38	41	3/8"	155	45.6	M5	47	30	69	7
1/2"				1/2"							

Optional Mounting Bracket

Size	L	M	N	O	P	Q	R	S	T	U
1/4"	5	14	4	20	25	32	15	25	Ø4.5	11
3/8"	6	22	4	25	33	40	20	30	Ø6	13
1/2"										



How to Order

GEM-SE	BODY	PORT	FUNCTION	SEALS	BRACKET	VOLTAGE	POWER	CONNECTOR								
	Brass	2	1/4" BSP	20	general purpose	9	NBR	N	without	0	W/out coil	0	No coil	0	without	0
			1/4" NPT	21			FKM	V	with	1	6	1	AC8W 50Hz	1	with	1
			3/8" BSP	30			EPDM	E			12	2	AC8W 60Hz	2	with LED	2
			3/8" NPT	31							24	3	DC10W	3	with bi-color LED	3
			1/2" BSP	40							48	4	AC5.5W 50Hz	4	flying leads coil	4
			1/2" NPT	41							110	5	AC5.5W 60Hz	5	with 1/2" Hub	5
											120	6	DC5.5W	7	surge protection with LED connector with moulded cable	6
											220	7A			with moulded cable	7
											230	7			other	9
											240	8				
											Latch/other (1)	9				

Example : GEM-SE-2209N0-331

GEM-SOL general purpose pilot operated, brass, 1/4" BSP, 3W general purpose, NBR, without bracket, 24V DC 10W with connector.

GEM-SE - 2 20 9 N 0 - 3 3 1

(1) For specifying Latch type coil, please refer to GEM-A3P valve - How to Order table.

* Note: When ordering without coil, please define what current and pressure rating is needed (DC, AC or ADC), otherwise an ADC valve will be supplied.

* To order valves manufactured according to your specific requirements, please contact our technical sales department.