

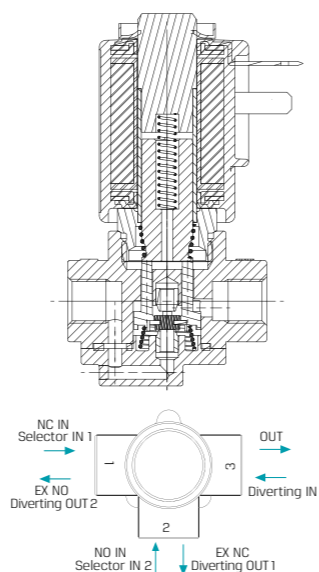
# SOLENOID VALVES | General Purpose

## Direct Operated | 3W

### GEM-U | Universal 1/8", 1/4"



General purpose | 1/8"



### Technical Data

Function	3 Way NC, NO selecting & diverting
Ports size	1/8", 1/4" BSP & NPT
Orifice size	See table
Pressure range	See table
Kv (l/min)	See table
Temperature range	<b>Fluid</b> : -10°C to 80°C (no freezing) <b>Ambient</b> : -10°C to 50°C
Materials in contact with media	<b>Main Valve:</b> Brass <b>Solenoid Operator:</b> Stainless Steel AISI 300 & 400 series <b>Seals:</b> NBR, FKM, EPDM
Media	Air, water, oil
Coil voltage	• Voltage and power consumption - see table • All Baccara coil voltages are ± 10% of nominal
Standard protection class	IP65 with connector * Option : IP68 (please refer to GEM-BP Coil)

- ADC valves are only suitable for use with AC8W or DC10W coils.
- Latch valves are available upon request.

### Max. Pressure (bar) universal function

Coil Current/Power	Orifice (mm)			
	1.6	2.0	2.4	3.0
AC8W	14	9	6.5	3
AC5.5W	11	8	5.5	3
DC10W	10	8	5.5	3
Flow factor Kv(l/min)	1.7	2.5	3.5	4.5

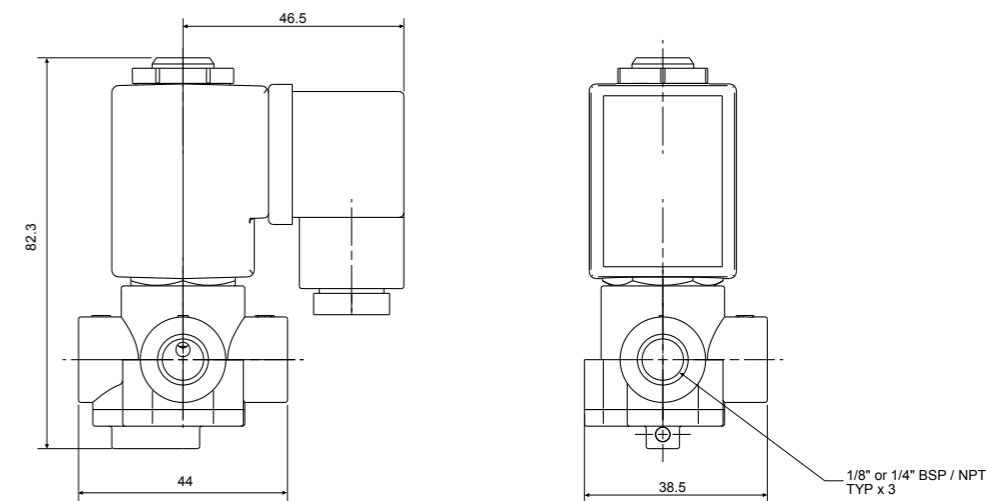
### Voltage & Power Consumption

V	AC (W)						DC (W)		
	50 Hz			60 Hz			10	5.5	3.5
	8	5.5	2.5	8	5.5	2.5			
6							•		
12	•			•			•		
24	•	•		•	•		•		
48	•			•			•		
110	•			•	•		•		
120	•			•					
220	•	•		•			•		
230	•	•							
240	•			•			•		

• Available options

## Direct Operated | 3W | GEM-SOL | Universal 1/8", 1/4"

### Dimensions



### How to Order

GEM-U	BODY	PORT	FUNCTION	ORIFICE	SEALS	VOLTAGE	POWER	CONNECTOR				
	Brass	2	1/8" BSP	10	diverter <sup>(1)</sup> 5	1.6	3	NBR N	W/out coil 0	No coil 0	without 0	
			1/8" NPT	11	general purpose 9	2.0	4	FKM V	6	1	AC8W 50Hz 1	with 1
			1/4" BSP	20		2.4	5	EPDM E	12	2	AC8W 60Hz 2	with LED 2
			1/4" NPT	21		3.0	6		24	3	DC10W 3	with bi-color LED 3
									48	4	AC5.5W 50Hz 4	flying leads coil 4
									110	5	AC5.5W 60Hz 5	with 1/2" Hub 5
									120	6		connector with moulded cable 7
									220	7A		
									230	7		
									240	8		
									Latch/other <sup>(2)</sup>	9		

Example : GEM-U-21095N-311

GEM-SOL direct operated, brass, 1/8" BSP, universal function, 2.4 orifice, NBR, 24V AC 8W 50Hz with connector.

GEM-U - 2 10 9 5 N - 3 1 1

(1) Use only for DC

(2) For specifying Latch type coil, please refer to GEM-A3P valve - How to Order table.

\* Note: When ordering without coil, please define what current and pressure rating is needed (DC, AC or ADC), otherwise an ADC valve will be supplied.

\* To order valves manufactured according to your specific requirements, please contact our technical sales department.