

# SOLENOID VALVES | General Purpose

## Pilot Operated | 2W

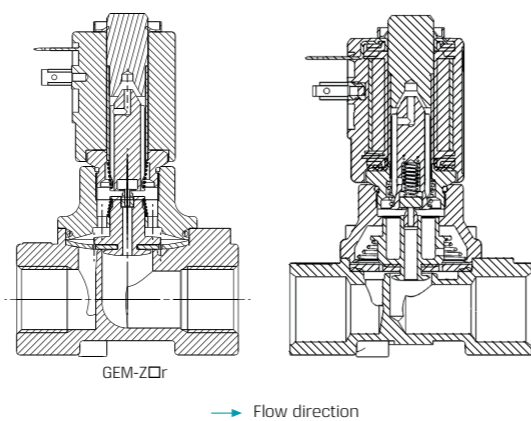
### GEM-Z | Zero differential pressure 1/4" - 3/4" 2 Way NC, NO



Brass | 1/2" | NC



Stainless Steel | 1/2" | NC



#### Technical Data

Function	2 Way NC, NO
Ports size	1/4", 3/8", 1/2", 3/4" BSP & NPT
Pressure range	See table
Kv (l/min)	See table
Temperature range	<b>Fluid :</b> -10°C to 80°C (no freezing) <b>Ambient :</b> -10°C to 50°C
Materials in contact with media	<b>Main Valve:</b> Brass, Stainless Steel AISI 316 <b>Solenoid Operator:</b> Stainless Steel AISI 300 & 400 series <b>Seals:</b> NBR, FKM, EPDM
Media	Air, water, oil
Coil voltage	• Voltage and power consumption - see table • All Baccara coil voltages are ± 10% of nominal
Standard protection class	IP65 with connector * Option : IP68 (please refer to GEM-BP Coil)

- When switching from an AC to a DC coil, the solenoid operator must be changed as well.
- Can be used in vacuum application from -1 bar to maximum pressure - see tables.

#### Pressure (bar) & Flow table NC (GEM-Z)

Size	Orifice (mm)	Pressure (bar)		Kv (l/min)
		AC	DC	
1/4"	8	0 to 14	0 to 7	12
3/8"	12	0 to 14	0 to 8	17
1/2"	12	0 to 14	0 to 8	18

#### Pressure (bar) & Flow table NC (GEM-Z □ □ r)

Size	Orifice (mm)	Pressure (bar)		Kv (l/min)
		AC	DC	
1/2"	16	0 to 10	0 to 6	60
3/4"	16	0 to 10	0 to 6	80

#### Pressure (bar) & Flow table NO (GEM-Z)

Size	Orifice (mm)	Pressure (bar)		Kv (l/min)
		AC	DC	
1/4"	8	0 to 8	0 to 8	12
3/8", 1/2"	12	0 to 8	0 to 8	20

#### Voltage & Power Consumption

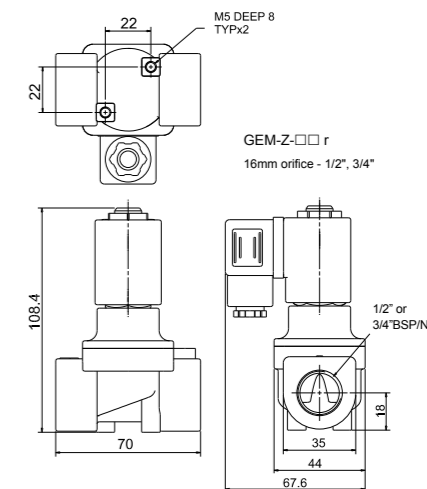
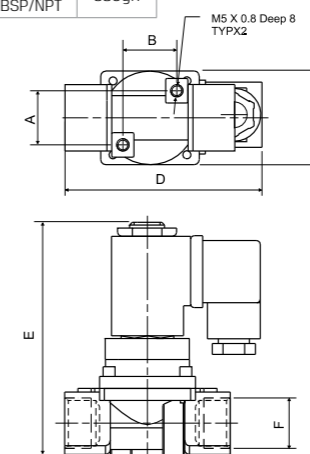
V	AC (W)						DC (W)		
	50 Hz			60 Hz			10	5.5	3.5
	8	5.5	2.5	8	5.5	2.5			
6							•		
12	•			•			•		
24	•			•			•		
48	•			•			•		
110	•			•			•		
120	•			•					
220	•			•			•		
230	•								
240	•			•			•		

• Available options

## Pilot Operated | 2W | GEM-SOL | Zero differential pressure 1/4" - 3/4" NC, NO

#### Dimensions

Size	A	B	C	D	E	F	Weight with coil
1/4"	22	22	32	58	89	1/4" BSP/NPT	415gr.
3/8"	22	22	38	70	95	3/8" BSP/NPT	530gr.
1/2"	22	22	38	70	95	1/2" BSP/NPT	530gr.



#### How to Order

GEM-Z	BODY <sup>(1)</sup>	PORT	FUNCTION	SEALS	* When ordering without coil, please define what current and pressure rating is needed (DC, AC)		
					VOLTAGE	POWER	CONNECTOR
	Brass 2	1/4" BSP 20	2W NC 1	NBR N	W/out coil 0	No coil 0	without 0
	Stainless Steel <sup>(2)</sup> 3	1/4" NPT 21	2W NO <sup>(4)</sup> 2a	FKM V	6 1	AC8W 50Hz 1	with 1
		3/8" BSP 30		EPDM E	12 2	AC8W 60Hz 2	with LED 2
		3/8" NPT 31			24 3	DC10W 3	with bi-color LED 3
		1/2" BSP 40			48 4		flying leads coil 4
		1/2" NPT 41			110 5		with 1/2" Hub 5
		1/2" BSP 40r			120 6		surge protection with LED 6
		1/2" NPT 41r			220 7A		connector with moulded cable 7
		3/4" BSP 50r			230 7		other 9
		3/4" NPT <sup>(3)</sup> 51r			240 8		
					Latch/other <sup>(5)</sup> 9		

Example : GEM-Z-2401N-221  
GEM-SOL zero differential, brass, 1/2" BSP, 2W NC, NBR, 12V AC8W 60Hz with connector.

GEM-Z - 2 40 1 N - 2 2 1

- (1) This valve is also available in plastic
- (2) Not available for GEM-Z □ □ r
- (3) 16mm orifice
- (4) NO function without M/O, not available for GEM-Z □ □ r
- (5) For specifying Latch type coil, please refer to GEM-A3P valve - How to Order table.

\* To order valves manufactured according to your specific requirements, please contact our technical sales department.