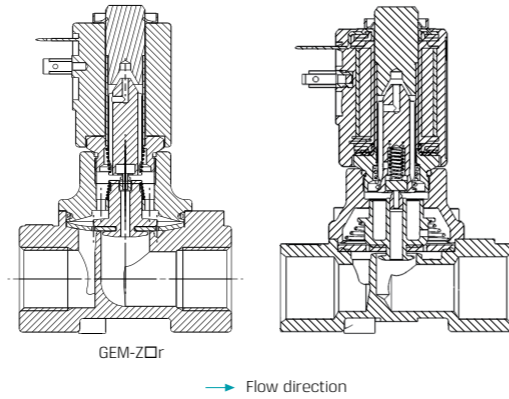


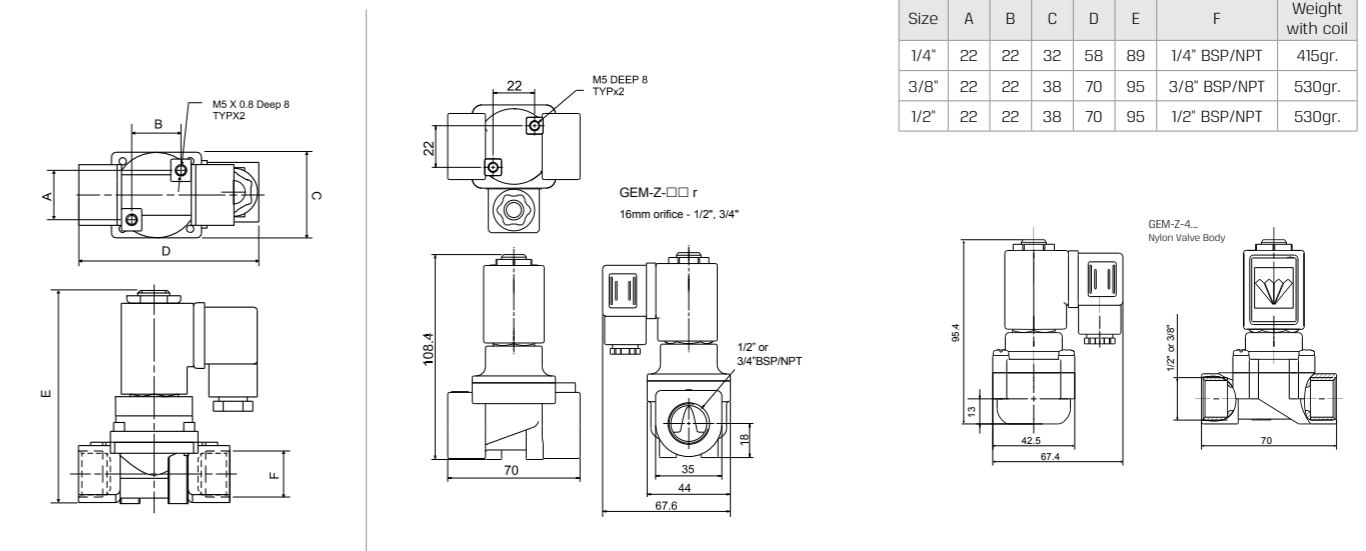
# ELECTRIC/HYDRAULIC VALVES | GEM & G75

## GEM-Z | Zero differential pressure 1/4" - 3/4" 2 Way NC, NO



## GEM-Z | Zero differential pressure 1/4" - 3/4" 2 Way NC, NO

### Dimensions



### Technical Data

Function	2 Way NC, NO
Ports size	1/4", 3/8", 1/2", 3/4" BSP & NPT
Pressure range	See table * For plastic body, maximum working pressure is 4 bar
Kv (l/min)	See table
Temperature range	<b>Fluid :</b> -10°C to 80°C (no freezing) <b>Ambient :</b> -10°C to 50°C
Materials in contact with media	<b>Main Valve:</b> Brass, Stainless Steel AISI 316, Nylon* * Plastic : only available in 3/8" and 1/2" <b>Solenoid Operator:</b> Stainless Steel AISI 300 & 400 series <b>Seals:</b> NBR, FKM, EPDM
Media	Air, water, oil
Coil voltage	• Voltage and power consumption - see table • All Baccara coil voltages are ± 10% of nominal
Standard protection class	IP65 with connector * Option : IP68 (please refer to GEM-BP Coil)

- When switching from an AC to a DC coil, the solenoid operator must be changed as well.
- Can be used in vacuum application from -1 bar to maximum pressure - see tables.

### Pressure (bar) & Flow table NC (GEM-Z)

Size	Orifice (mm)	Pressure (bar)		Kv (l/min)
		AC	DC	
1/4"	8	0 to 14	0 to 7	12
3/8"	12	0 to 14	0 to 8	17
1/2"	12	0 to 14	0 to 8	18

### Pressure (bar) & Flow table NC (GEM-Z-□□r)

Size	Orifice (mm)	Pressure (bar)		Kv (l/min)
		AC	DC	
1/2"	16	0 to 10	0 to 6	60
3/4"	16	0 to 10	0 to 6	80

### Pressure (bar) & Flow table NO (GEM-Z)

Size	Orifice (mm)	Pressure (bar)		Kv (l/min)
		AC	DC	
1/4"	8	0 to 8	0 to 8	12
3/8", 1/2"	12	0 to 8	0 to 8	20

### Voltage & Power Consumption

V	AC (W)						DC (W)		
	50 Hz			60 Hz			10	5.5	3.5
	8	5.5	2.5	8	5.5	2.5			
6									
12	•			•			•		
24	•			•			•		
48	•			•			•		
110	•			•			•		
120	•			•			•		
220	•			•			•		
230	•			•			•		
240	•			•			•		

• Available options

### How to Order

GEM-Z	-	BODY	PORT	FUNCTION	SEALS	* When ordering without coil, please define what current and pressure rating is needed (DC, AC)			
						VOLTAGE	POWER	CONNECTOR	
Brass	2	1/4" BSP	20	2W NC 1	NBR N	W/out coil 0	No coil 0	without	0
Stainless Steel <sup>(1)</sup>	3	1/4" NPT	21	2W NO <sup>(4)</sup> 2a	FKM V	6 1	AC8W 50Hz	1 with	1
Plastic <sup>(2)</sup>	4	3/8" BSP	30		EPDM E	12 2	AC8W 60Hz	2 with LED	2
		3/8" NPT	31			24 3	DC10W	3 with bi-color LED	3
		1/2" BSP	40			48 4		4 flying leads coil	4
		1/2" NPT	41			110 5		5 with 1/2" Hub	5
		1/2" BSP	40r			120 6		6 surge protection with LED	6
		1/2" NPT	41r			220 7A		7 connector with moulded cable	7
		3/4" BSP	50r			230 7		8 other	9
		3/4" NPT <sup>(3)</sup>	51r			240 8			
						Latch/other <sup>(5)</sup> 9			

Example : GEM-Z-2401N-221  
GEM-SOL zero differential, brass, 1/2" BSP, 2W NC, NBR, 12V AC8W 60Hz with connector

GEM-Z - 2 40 1 N - 2 2 1

- (1) Not available for GEM-Z-□□r
- (2) Only available in 3/8" and 1/2"
- (3) 16mm orifice
- (4) NO function without M/O, not available for GEM-Z-□□r
- (5) For specifying Latch type coil, please refer to GEM-A3P valve - How to Order table

\* To order valves manufactured according to your specific requirements, please contact our technical sales department