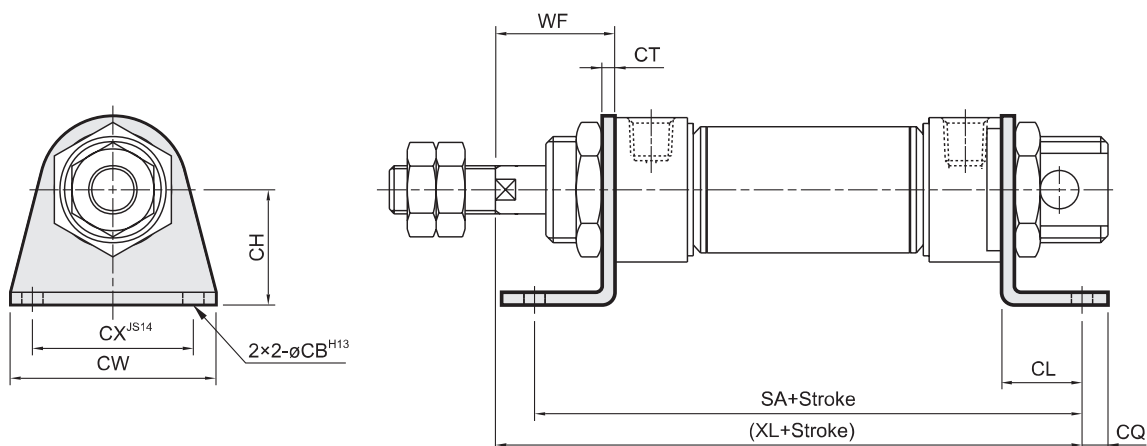
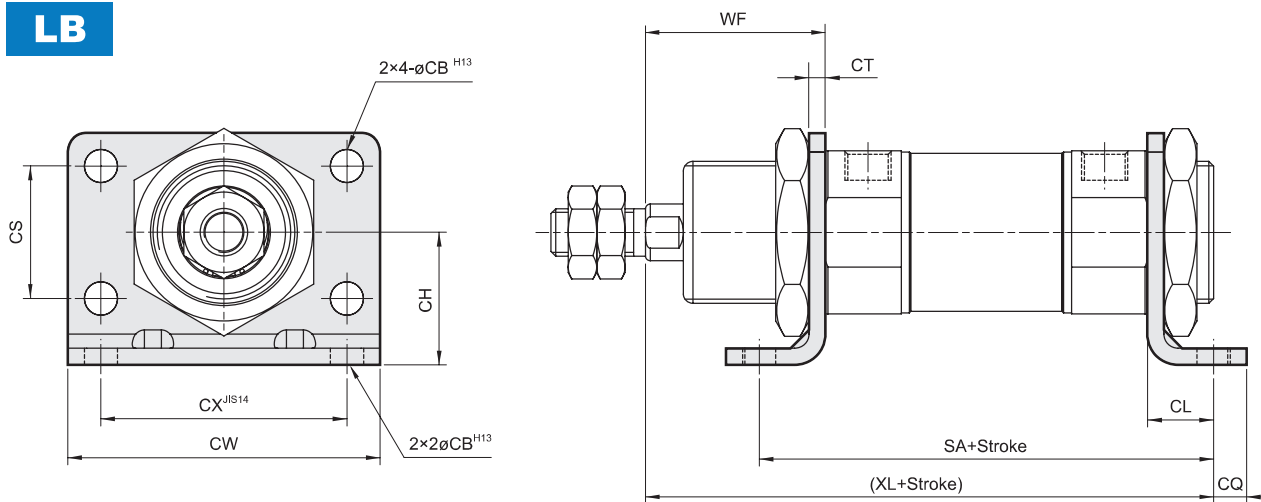


LB



| Code Tube I.D. | CB | CH | CL | CQ | CT | CW | CX | SA | XL | WF |
|-------------------|-----|----|----|----|-----|----|----|------|------|----|
| 8 | 4.5 | 16 | 11 | 5 | 3.2 | 35 | 25 | 68 | 73 | 28 |
| 10 | 4.5 | 16 | 11 | 5 | 3.2 | 35 | 25 | 68 | 73 | 28 |
| 12 | 5.5 | 20 | 14 | 6 | 4 | 42 | 32 | 78 | 86 | 38 |
| 16 | 5.5 | 20 | 14 | 6 | 4 | 42 | 32 | 82.5 | 90.5 | 38 |
| 20 | 6.6 | 25 | 15 | 8 | 3.2 | 54 | 40 | 98 | 107 | 44 |
| 25 | 6.6 | 25 | 15 | 8 | 3.2 | 54 | 40 | 97 | 110 | 50 |

LB



| Code Tube I.D. | CB | CH | CL | CQ | CT | CW | CX | CS | KK | SA | SC | SX | WF | XL |
|-------------------|----|----|----|----|-----|----|----|----|----------|-----|----|------|----|-----|
| 32 | 7 | 28 | 14 | 7 | 3.5 | 66 | 52 | 28 | M10×1.5 | 96 | 47 | 48.5 | 38 | 120 |
| 40 | 9 | 33 | 20 | 10 | 3.5 | 80 | 60 | 30 | M12×1.75 | 129 | 56 | 62.5 | 45 | 154 |