

SOLENOID VALVES | Special Purpose

Long Distance | GEM-SOL

LDOS | Long distance operating solenoid



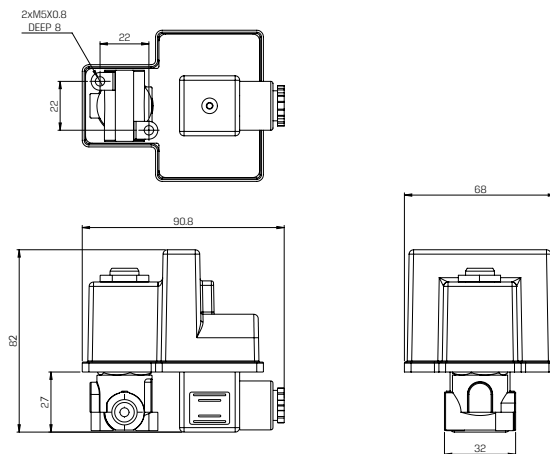
LDOS unit



Assembled with GEM-S solenoid



Assembled with GEM-A solenoid



A small section conductor can be used at a distance of up to 5 kms.

Technical Data

Current	24V AC : Inrush 210mA Holding 18mA 12V DC : Inrush 120mA Holding 5mA
Pressure range	See table
Delay time	See table
Connection	DIN 43650 Connecting box
Ambient temp	-10°C to 70°C
Operation	Only with a Baccara valve
Applications	<ul style="list-style-type: none"> • Cost saving wiring for remote solenoid operation • Power saving and heat prevention on continuous energized solenoid
Voltage	<ul style="list-style-type: none"> • Voltage and power consumption - see table • +10% -10% of nominal
Standard protection class	IP65 with connector

* For recommended wire parameters, please refer to Long distance operators charts

How to Order

LDOS	-	VOLTAGE	-	Please refer to the "How to Order" definitions of the assembled GEM-SOL valve
		24V AC	1	
		12V DC	2	

Example : LDOS-1-GEM-A-21035N0

LDOS 24V AC is attached to a GEM-SOL latch coil, direct operated, brass, 1/8" BSP, 3W NC, 2.4 orifice, NBR, no manual override.

LDOS	-	1	-	GEM-A	-	2		10		3		5		N		0
------	---	---	---	-------	---	---	--	----	--	---	--	---	--	---	--	---

* To order valves manufactured according to your specific requirements, please contact our technical sales department.

Pressure (bar) table

Function	Orifice (mm)	Pressure
3W NC	1.6	16
	2.0	10
	2.4	8
3W NO	1.6	16
	2.0	12
	2.4	8

Delay time (sec) at a nominal voltage	Distance (Km)	Conduit Section (mm)
4-5	2.4	0.5
	4.8	1.0
	7.5	1.5

Voltage & Power Consumption

	AC (W)		DC (W)
	50 Hz	60 Hz	
V			
12			•
24	•	•	

• Available options