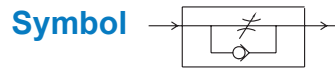
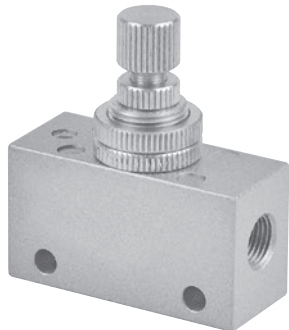


# MSC201 series

## FLOW CONTROL VALVE



mindman



### Specification

Model	MSC201	
Bore No.	6A	8A
Port size	Rc1/8	Rc1/4
Medium	Air	
Operating pressure range	0~1 MPa	
Proof pressure	1.5 MPa	
Ambient temperature	-5~+60°C (No freezing)	
Flow (l/min) (*)	Free flow	95
	Controlled flow	140
Number of needle rotations	8	
Weight	66 g	

\* Supply pressure: 0.5 MPa, Temperature: 20°C

\* Do not use MSC series flow control valve as a shutoff valve where zero leakage is required, slight leakage is permitted for MSC series.

### Order example

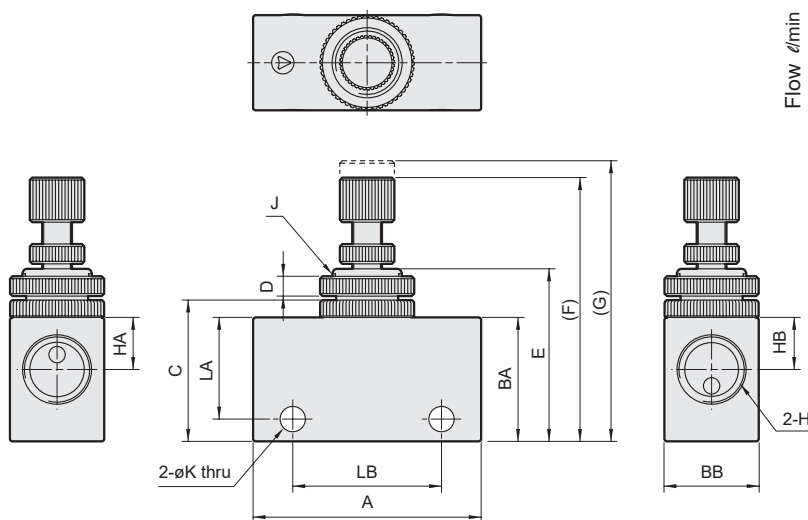
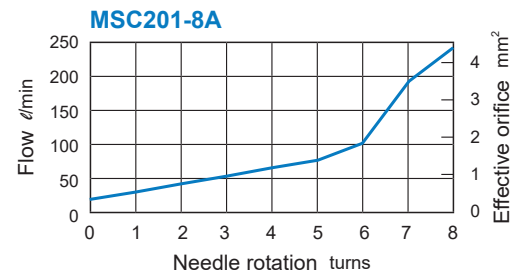
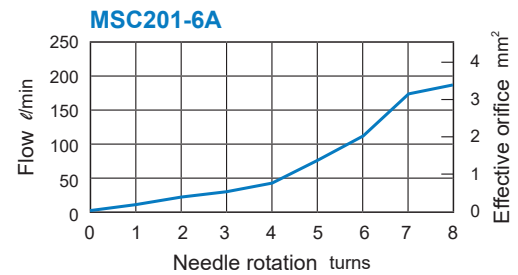
**MSC201 – 6A – □**

**MODEL**

**PORT SIZE**  
6A: Rc1/8  
8A: Rc1/4

**PORT THREAD**  
Blank: Rc thread  
G: G thread  
NPT: NPT thread

### Flow features



Code Model	A	BB	BA	C	D	E	F	G	H	HA	HB	J	K	LA	LB	
MSC201	6A	46	19.2	25	28.5	4	34.8	50.5	54.8	Rc1/8	10	11.5	M14×1.0	4.5	20.5	30
	8A	46	19.2	25	28.5	4	34.8	50.5	54.8	Rc1/4	10.5	10.5	M14×1.0	4.5	20.5	30