

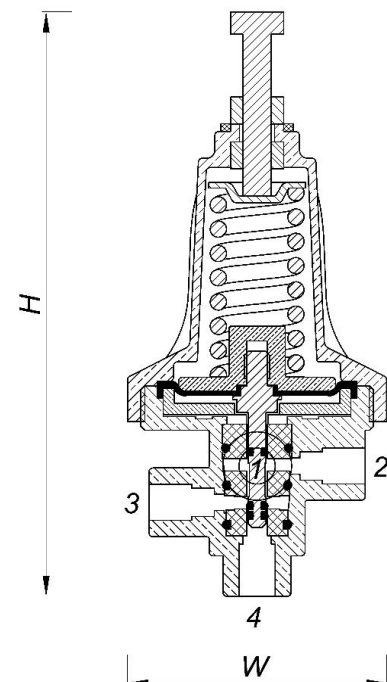
## PR | MULTIFUNCTIONAL PLASTIC PILOT-3 WAY

### Description

Baccara "PR" diaphragm actuated, spring-loaded, 3-way, multi-functional pilot valve is used to control functions of the pressure on hydraulic control valves. Due to the pilot valve is 3 way, it opens the common port which is connected on valve actuator to the other two ports by means of spring force which gets a signal from comparison port. The pilot valve can be used on agricultural and mining applications and with some fluids which has low acidic characteristics thanks to its material. It has wide application areas on pressure control methods. Thanks to its simple design is easy to use and maintain.

### Technical Data

| General                      |                                |
|------------------------------|--------------------------------|
| Pressure Rate                | 10 bar - 150 psi               |
| Pressure Adjustment          | 0.5 bar - 10 bar / 7 - 150 psi |
| Temperature                  | -10°C, +80°C                   |
| Weight                       | 0.215 kg                       |
| Kv                           | 0.10 m³/h @ 1 bar              |
| Available Valve Sizes to use | 1½" - 6"                       |
| Materials                    |                                |
| Body                         | PA6 30GFR                      |
| Bonnet                       | PA6 30GFR                      |
| Internal Parts               | PA6 30GFR                      |
| Stem                         | AISI 316                       |
| Bush                         | PTFE                           |
| Spring                       | AISI 304                       |
| Bolt-Nut                     | SST A2 - Ms58                  |
| Diaphragm                    | Natural Rubber                 |
| Leakage Components           | NBR                            |
| Dimensions                   |                                |
| H (Height) Maximum           | 146 mm                         |
| W (Width) Maximum            | 86 mm                          |
| Port Connections             |                                |
| 1, 2, 3, 4                   | ½" BSP                         |



### Typical Applications:

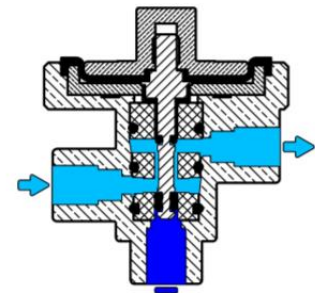
- Pressure Reducing - PR
- Pressure Sustaining - PS
- Quick Pressure Relief - QR

## PR | MULTIFUNCTIONAL PLASTIC PILOT-3 WAY

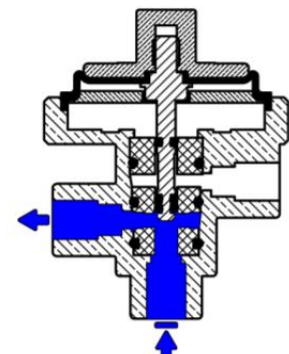
### Spring Adjustment Range

| Color  | bar   | psi    |
|--------|-------|--------|
| Green  | 1-10  | 14-150 |
| Yellow | 0.5-5 | 7-75   |

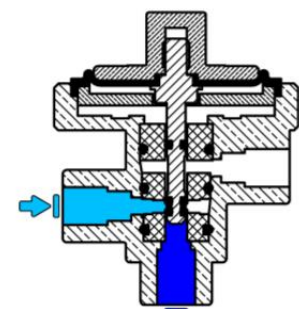
### Operation Principle



LOW PRESSURE



HIGH PRESSURE



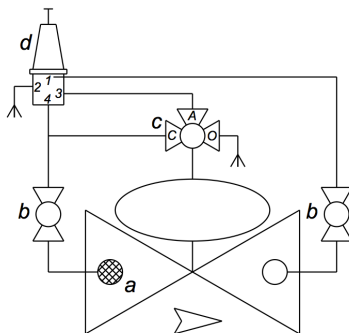
REQUIRED PRESSURE

### Connections

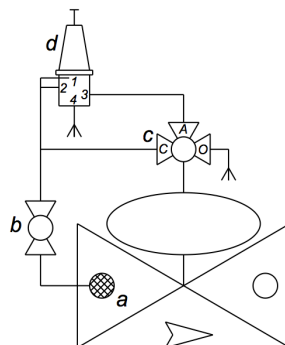
| Port | Pressure Reducing     | Pressure Sustaining<br>Quick Pressure Relief |
|------|-----------------------|--|
| 1    | Downstream            | Upstream                                     |
| 2    | Vent                  | Upstream                                     |
| 3    | Valve Control Chamber | Valve Control Chamber                        |
| 4    | Upstream              | Vent   |

### Installation

· Pressure Reducing - PR



· Pressure Sustaining - PS  
· Quick Pressure Relief - QR



### Main Components

| No | Description                     |
|----|---------------------------------|
| a  | Self Flushing Filter            |
| b  | Isolation Ball Valve (Optional) |
| c  | 3-way Manual selector valve     |
| d  | Multifunctional Pilot Valve     |

\* Pressure Reducing Function \*