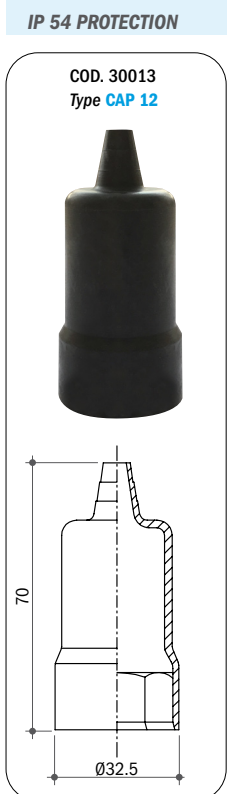
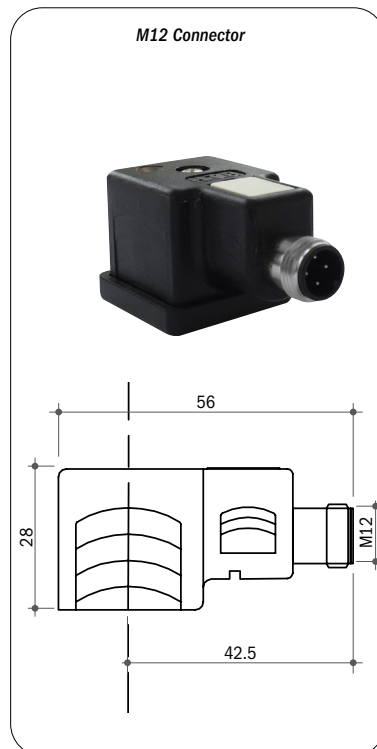
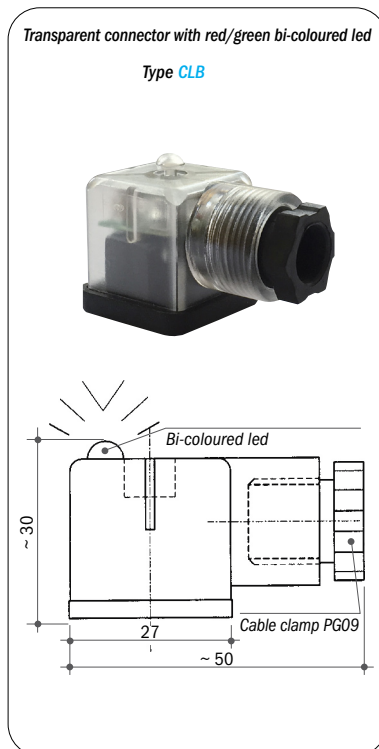
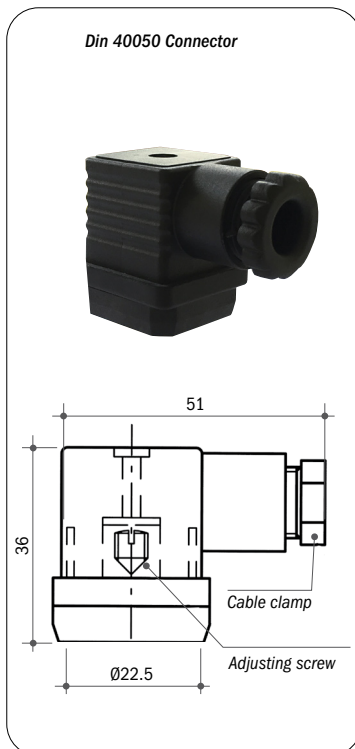


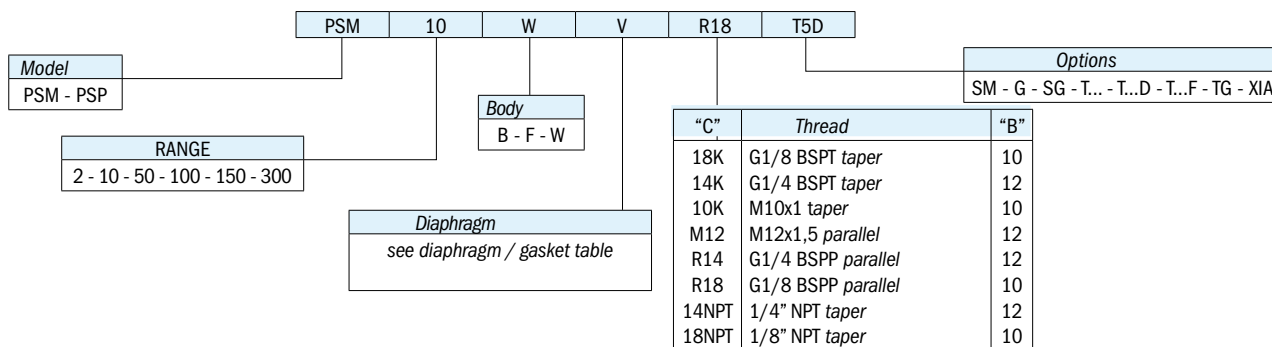
Max. voltage	250 Vca
Current	6 (2) A
C/O contacts	SPDT
Adjustable hysteresis	10% - 30% of set-point
Temperature range	-30°C to +140°C (according to diaphragm/gasket material)
Max. cycle rate at 25°C	120/min. (diaphragm type)
Max. cycle rate at 25°C	60/min. (piston type)
Protection	IP65 DIN 40050 see page 8
PG09 or PG11 connector	DIN 43650
Mechanical life	10 <sup>6</sup> operations
Recommended tightening torque	max. 5 Kgm. see page 3

**AVAILABLE ELECTRICAL CONNECTIONS**

**IP 65 PROTECTION**



## HOW TO ORDER



## ORDERING INFORMATION

<b>PSM...</b>	Diaphragm pressure switch with SPDT contacts	
<b>PSP...</b>	Piston pressure switch with SPDT contacts	
<b>27AF body material</b>	<b>B</b>	Brass
	<b>F</b>	Zinc plated steel
	<b>W</b>	S.S. 316 on request for all models
<b>Available Diaphragm/ Gasket</b>	<b>N</b>	NBR (standard) (-5°C to +90°C)
	<b>NT</b>	HNBR (-25°C to +140°C)
	<b>V</b>	FKM (-5°C to +90°C)
	<b>S</b>	Silicone (-30°C to +120°C)
	<b>C</b>	Neoprene (-10°C to +90°C)
	<b>E</b>	EPDM (-20°C to +110°C)
	<b>MI</b>	Stainless steel (-30°C to +140°C) (only PSM2 and PSM10)
<b>Threads</b>	<b>18K</b>	G1/8 BSPT taper
	<b>14K</b>	G1/4 BSPT taper
	<b>10K</b>	M10x1 taper
	<b>M12</b>	M12x1.5 parallel
	<b>R14</b>	G1/4 BSPP parallel
	<b>R18</b>	G1/8 BSPP parallel
	<b>14NPT</b>	1/4" NPT taper
	<b>18NPT</b>	1/8" NPT taper
<b>Options</b>	<b>SM</b>	Snubber for pressure picks
	<b>G</b>	Gold-plated contacts for low current
	<b>SG</b>	Degreased for applications with oxygen
	<b>T...</b>	Set-point adjustment rising at the required value (ex. T2 pressure set rising at 2 bar)
	<b>T...D</b>	Set-point adjustment falling at the required value (ex. T2D pressure set falling at 2 bar)
	<b>T...F...</b>	Set-point and hysteresis at the required value if > 10% max 30% of set-point (ex. T40F10 set point at 40 bar with hysteresis at 10 bar) <b>FACTORY SETTING</b>
	<b>XIA</b>	XIA execution
	<b>TG</b>	Tested for applications with gas

IN COMPLIANCE WITH DIRECTIVE 2014/30/CE.

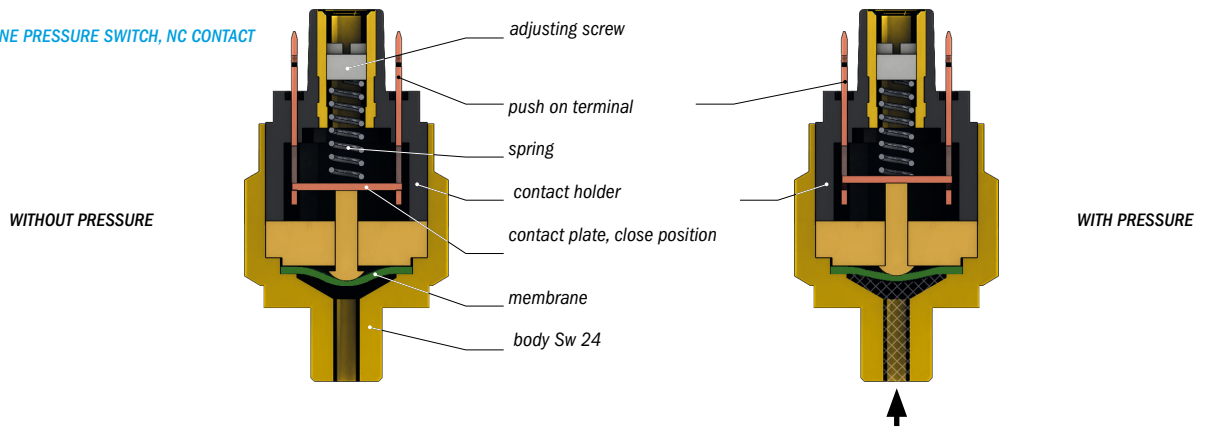
## GENERAL SPECIFICATIONS

MODEL	ADJUSTMENT RELATIVE PRESSURE RANGE bar	DIMENSIONS "A" mm	MAX. STATIC PRESSURE bar			TOLERANCE AT 25°C bar	EXECUTION
			BRASS BODY EXECUTION	ZINC PLATED BODY EXECUTION	S.S. 316 BODY EXECUTION		
PSM 2	0,2 - 2	73	300	300	300	± 0,2	Diaphragm
PSM 10	1 - 10	73	300	300	300	± 0,4	
PSM 50	10 - 50	73	300	300	300	± 2	
PSM 100	10 - 100	73	300	300	300	± 3	
PSP 150	30 - 150	78		600	600	± 5	Steel piston
PSP 300	50 - 300	78		600	600	± 15	

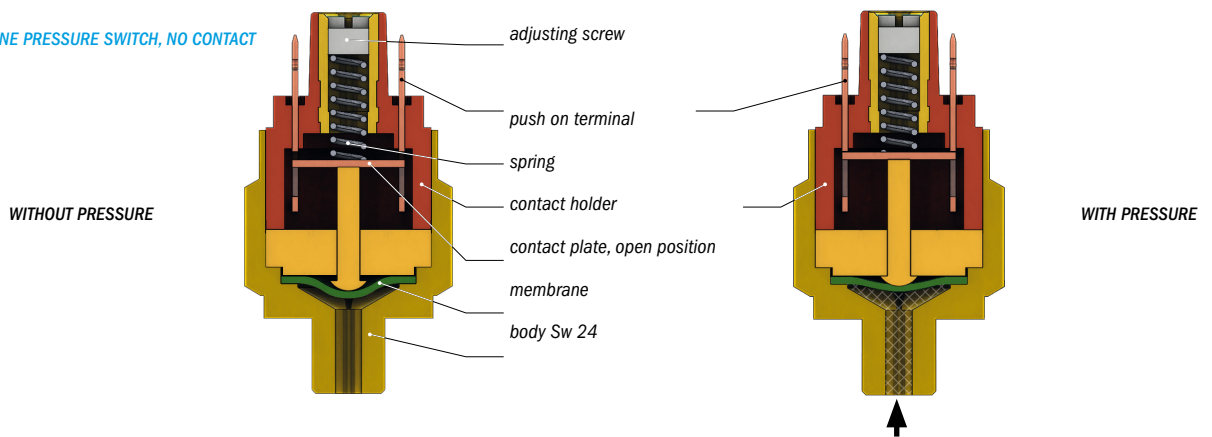
Baccara reserves the right to technical data of change to the products or halt production without prior notice. The pressure switch contacts can be damaged when subject to strong shocks or high vibration. It is the responsibility of the user to test the suitability of our products for the particular application, for example, the verification of material compatibility. The use may only be appropriate if proven in field tests. The technical information in this catalogue are based on tests made during product development and based on empirically gathered values. They may not be applicable in all cases.

## GENERAL TECHNICAL DATA

MEMBRANE PRESSURE SWITCH, NC CONTACT



MEMBRANE PRESSURE SWITCH, NO CONTACT



### RECOMMENDED TIGHTENING TORQUES

Brass		Zinc plated carbon steel		AISI 316 / S.S. 316	
Thread	* Recommended tightening torque Nm	Thread	* Recommended tightening torque Nm	Thread	* Recommended tightening torque Nm
R18	17	R18	22	R18	24
18K	17	18K	22	18K	24
18NPT	17	18NPT	22	18NPT	24
5/8UNF	30	5/8UNF	40	5/8UNF	45
R12	40	R12	55	R12	60
R14	25	R14	35	R14	40
14K	25	14K	35	14K	40
14NPT	25	14NPT	35	14NPT	40
M10	18	M10	25	M10	30
M12	23	M12	32	M12	35
10K	18	10K	25	10K	30
34K	50	34K	70	34K	80













### ELECTRICAL CONTACTS APPLIED

			Standard DIN-EN-60947-5-1	Symbol IEC 60617
NA	NO normally open	SPST (single pole, single throw)	X	
NC	NC normally closed	SPST (single pole, single throw)	Y	
SC	CO change over (snap action)	SPDT (single pole, double throw)	C	

\* Improper torque may affect the mechanical life of the switch. The relevant legislation has been expressed in various ways. Baccara limits the stress tolerated by the material to a percentage of the yield point. By varying the type of material used to make the switch body, will also vary the tightening torque.

# PRESSURE SWITCHES

## ELECTRIC PROTECTIONS

		PMN	PMM	PM250	MS	PS	PSM PSP	PMC PMC...D	PPC PPCF	PPC...D PPCF...D	PML	PPL	PSK	MPS	PHP	PHC
<b>Page</b>		9	11	13	15	15	17...26	27	29	29	31	31	33	35	37	39
<b>IP 54 electric protection</b>	CAP 1 	●	●	●											●	
	CAP 10 	●	●												●	
	CAP 12 						●									
	CAP 16 				●	●								●		
	CAP 30 															●
	CAP 31 															●
<b>IP 65 electric protection</b>	CAP 3 	●	●	●											●	
	CAP 13 				●	●										
	Din 40050 Connector 						●	●	●	●	●	●	●	●		
<b>IP 67 electric protection</b>	Cap 14 + Flying Leads + Connector 	●		●	●	●									●	
	M12 Connector 				●	●	●	●	●	●	●	●	●	●	●	
	Deutsch DT04-2P integrato 													●		

## ELECTRIC DATA

		PMN	PMM	PM250	MS	PS	PSM PSP	PMC PMC...D	PPC PPCF	PPC...D PPCF...D	PML	PPL	PSK	MPS	PHP	PHC
<b>Power supply</b>	12 Vca/cc	●	●	●	●	●	●	●	●	●	●	●	●	●	●	●
	24 Vca/cc	●	●	●	●	●	●	●	●	●	●	●	●	●	●	●
	48 Vca/cc	●	●	●	●	●	●	●	●	●	●	●	●	●	●	●
	110 Vca/cc			●	●	●	●	●	●	●	●	●	●	●		●
	220 Vca/cc			●	●	●	●	●	●	●	●	●	●	●		●
	250 Vca/cc			●	●	●	●	●	●	●	●	●	●	●		●
<b>Max. current</b>	< 30 mA	●	●	●	●	●	●	●	●	●	●	●	●	●		
	0,5 A	●	●	●											●	
	3 A							●	●	●	●	●	●			
	4 A															●
	6 A				●	●	●									
	7 A													●		
	8 A															●
	10 A							●	●	●	●	●	●	●		
15 A															●	
Silver plated contacts	●	●	●	●	●	●	●	●	●	●	●	●	●	●	●	●
Gold plated contacts	●	●	●	●	●	●	●	●	●	●	●	●	●	●	●	●
Fixed Hysteresis	●	●	●	●	●	●	●	●	●	●	●	●	●	●	●	●
Adjustable Hysteresis						●										
Body 24 AF	●	●	●	●	●						●	●		●	●	
Body 27 AF						●										

Baccara reserves the right to technical data of change to the products or halt production without prior notice. The pressure switch contact can be damaged when subject to strong shocks or high vibration. It is the responsibility of the user to test the suitability of our products for the particular application, for example, the verification of material compatibility. The use may only be appropriate if proven in field tests. The technical information in this catalogue are based on tests made during product development and based on empirically gathered values. They may not be applicable in all cases.