

Order example

RCB — □

MODEL

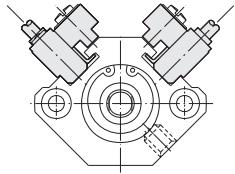
RCB: Reed switch
RDB: Non-contact
RNB: NPN
RNBE: NPN
RPB: PNP
RPBE: PNP

WIRE LENGTH

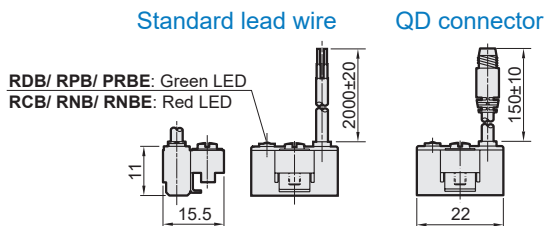
Blank: L=2000mm
1M: L=1000mm
QD: M8, 3 Pin connector
EQD: M8, 3 Pin connector

* Special order is available.

Assembling style

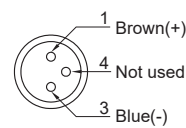
Cylinder type	Mounting clamp
MCJA, MCJQ, MCJQ2, MCGA, MCGJ, MCG3, MCDA, MCRA, MCKB, MSB*, MSLD	

Dimension

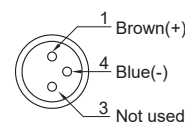


Wiring of the QD

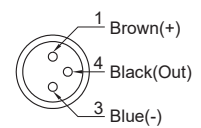
• 2 wire QD wiring



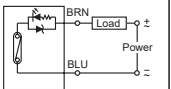
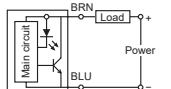

• 2 wire EQD wiring



• 3 wire QD wiring



Specification

Model	RCB	RDB	RNB	RNBE	RPB	RPBE
Wiring method	2 wire		3 wire			
Switching logic	SPST normally open		Solid state output, normally open			
Switch Type	Reed switch	Non-contact	NPN current sinking		PNP current sourcing	
Operating voltage	5~240V DC/AC		5~30V DC			
Switching current	100mA max.	50mA max.	200mA max.			
Switching rating (*1)	10W max.	1.5W max.	6W max.			
Current consumption (*5)	-		22 mA@24V DC max.	6 mA@24V DC max.	20 mA@24V DC max.	6 mA@24V DC max.
Voltage drop (*5)	3.5V max.	3.7V max.	0.5V max.			
Leakage current (*5)	-	0.1mA(40uA) max.	0.01mA max.			
Indicator	Red LED	Green LED	Red LED		Green LED	
Cable	ø3.3, 2C, PVC		ø3.3, 3C, PVC			
Temperature range	-10~+70°C (No freezing)					
Shock (*2)	30G		50G			
Vibration (*3)	9G					
Enclosure classification	IEC 60529 IP67					
Protection circuit (*4)	1		3,4			
Weight	33 g (2m cable)					
Connect diagram						

*1. Warning: Never exceed rating (watt=voltage×amperage). Permanent damage to sensor will occur. *6. Caution for safety please refer to page 9-3~4.

*2. Sin wave / X.Y.Z. 3 directions / 3 times each direction / 11ms each time.

*3. Double amplitude 1.5mm / 10Hz~55Hz~10Hz(Sweep 1min) / X.Y.Z. 3 directions / 1 hour each time.

*4. 1=None / 2=Short-circuit / 3=Power source reverse polarity / 4=Surge suppression.

*5. It bases on conditions of voltage 24V DC, ambient temp. 25°C and cable 2M length. Voltage drop increases in pace with cable length.