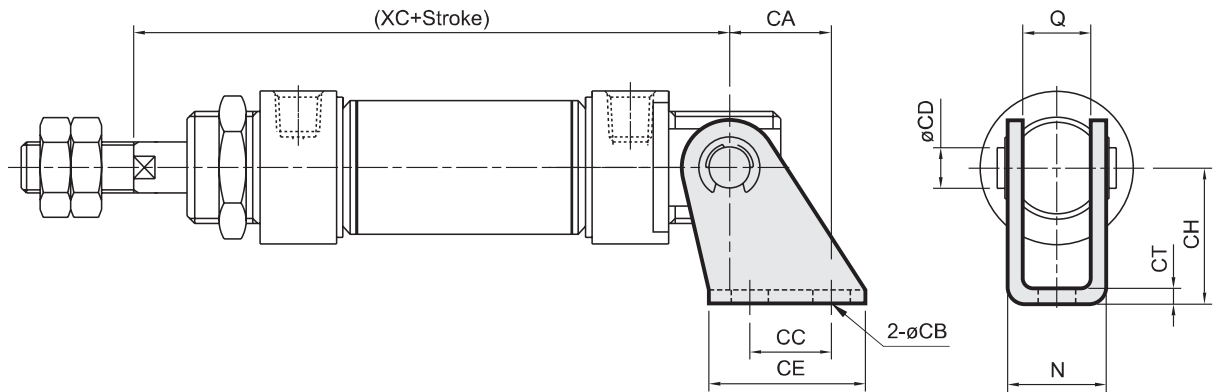
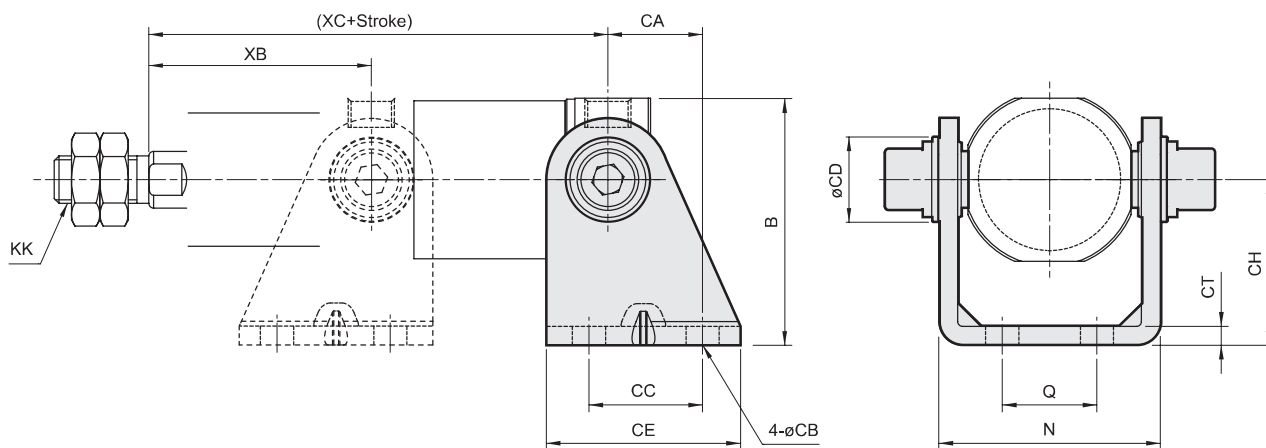


SDB



Code Tube I.D.	CA	CB	CC	CD	CE	CH	CT	N	Q	XC
8	11	4.5	12.5	4	20	24	2.5	13.1	8.1	64
10	11	4.5	12.5	4	20	24	2.5	13.1	8.1	64
12	13	5.5	15	6	25	27	3.2	18.5	12.1	75
16	13	5.5	15	6	25	27	3.2	18.5	12.1	82
20	16	6.6	20	8	32	30	3.2	22.5	16.1	95
25	16	6.6	20	8	32	30	3.2	22.5	16.1	104

SDB



Code Tube I.D.	B	CA	CB	CC	CD	CE	CH	CT	KK	N	Q	XC	XB
32	52.3	20	7	24	18	41	35	4	M10×1.5	46.8	20	97	49.5
40	61.3	27	9	30	22	52	40	4	M12×1.75	58.2	28	122	60