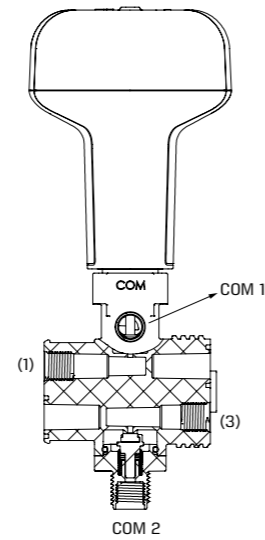




CONTROLLERS & SPECIAL VALVES

ii.ri-C-VSA | Smart Irrigation Controller 3 Way



- Single station Irrigation Controller
- Wireless operated by smart device
- Four irrigation program types
- Minimum required iOS 7 or Android V4.3
- Battery included

Technical Data

Function	3 Way Latch
Pressure range	0 to 8 bar
Temperature range	Fluid : 5° to 50°C (no freezing) Ambient : -5° to 50°C
Communication protocol	Wireless BLE
App Downloading	 
Pairing code	Not required
Communication range	Up to 10 m (32.8 feet)
Battery type	CR123
Mounting	Direct mounting on UNEF 3/4"
Standard / Certification	• CE • Federal Communications Commission (FCC)
Standard protection class	• Dust and watertight IP68

PORT	NO	NC
1	Exhaust	Pressure
3	Pressure	Exhaust
COM	Out	Out

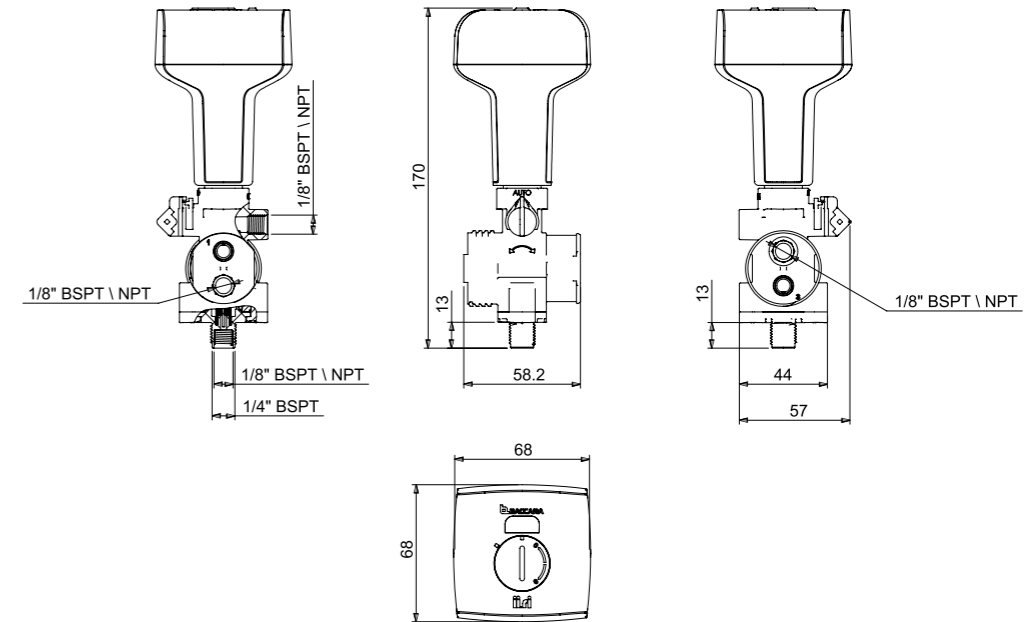
Programming key features

- Four different irrigation plans

Weekly	Interval Days	Even / Odd Days	Window
Irrigation each day of the week	Periodical days up to 98 periods	Even / odd calendar dates	Repeated cycles within a defined time frame
Set up to 6 cycles per day			Set cycle On and Off duration
Option to set different irrigation durations per cycle			Set start and end times for irrigation

ii.ri-C-VSA | Smart Irrigation Controller 3 Way

Dimensions



How to Order

ii.ri-C-VSA	BODY	PORT	FUNCTION	SEALS			
Plastic	4	1/8" BSP 1/8" NPT	10 11	3W NC 3W NO	3 4	EPDM	E

Example : ii.ri-C-VSA-4103E

ii.ri smart irrigation controller with 1/8" BSP valve, 3W NC, EPDM seals



* To order controllers manufactured according to your specific requirements, please contact our technical sales department